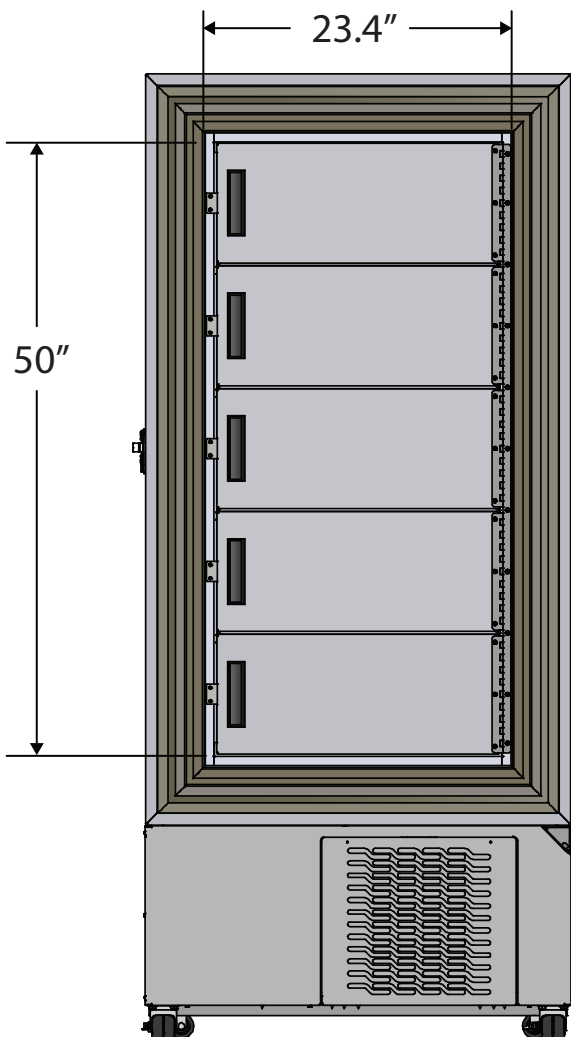
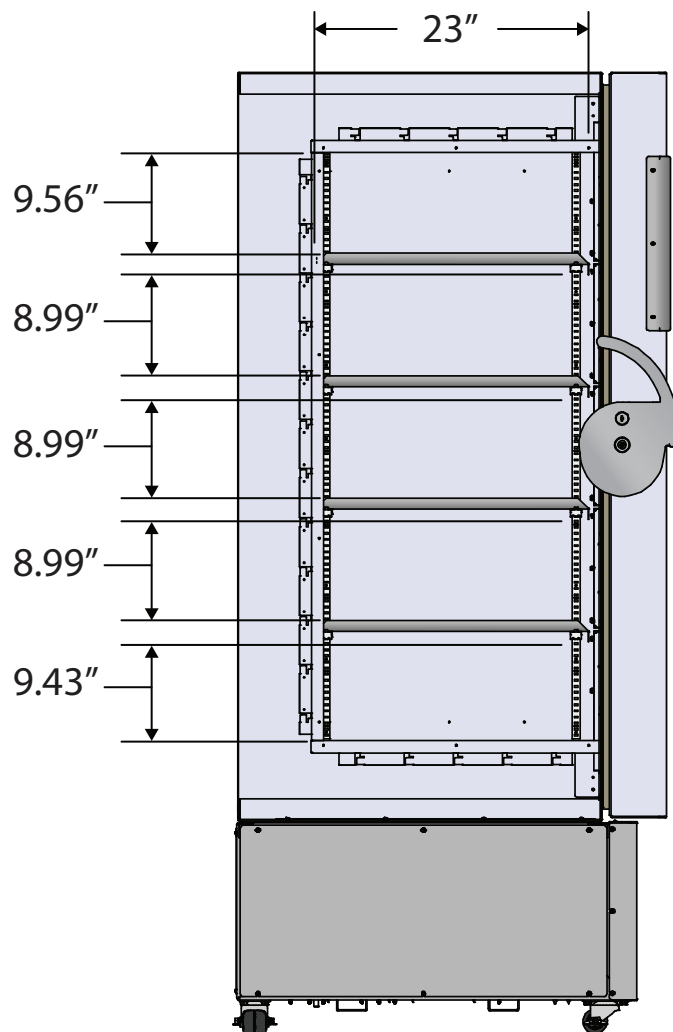



**CUTSHEET**

**Front View**



**Side View**



 115VAC/60Hz/1PH  
NEMA-5-20P

| Cu. Ft | Defrost | Door    | Int Door | Shelves | Interior Dim. |    |    | H.P.  | Amps | Weight   |
|--------|---------|---------|----------|---------|---------------|----|----|-------|------|----------|
|        |         |         |          |         | W"            | D" | H" |       |      |          |
| 17     | Manual  | 1 Solid | 5        | 4 Fixed | 23.4          | 23 | 50 | ½ x ½ | 16   | 625 lbs. |

Note: Interior dimensions are estimates and subject to change without notice