



## MEDICAL FREEZERS / *CONGÉLATEURS MEDICAUX*

**Models / Modèles** VT65M, VT65ML series  
(including BI and ADA models /  
*y compris les modèles BI et ADA*),  
ALF620, ALF620BI,  
ALF620L, ALFB621



### Instruction Manual / *Mode d'emploi*

**BEFORE USE, PLEASE READ AND FOLLOW ALL SAFETY RULES AND OPERATING INSTRUCTIONS**  
***AVANT UTILISATION, S'IL VOUS PLAÎT LIRE ET SUIVRE LES RÈGLES DE SÉCURITÉ ET***  
***INSTRUCTIONS DE FONCTIONNEMENT***

Write Model & Serial No. here:  
*Écrivez les numéros de modèle et série ici :*  
Model: \_\_\_\_\_  
Ser.No: \_\_\_\_\_

**FELIX STORCH, INC.**  
**770 Garrison Avenue**  
**Bronx, NY 10474**  
**[www.summitappliance.com](http://www.summitappliance.com)**

# IMPORTANT SAFEGUARDS

Your safety and the safety of others are very important.

We have provided many important safety messages in this manual and on your appliance. Always read and obey all safety messages.



This is the Safety Alert Symbol. This symbol alerts you to potential hazards that can kill or injure you and others. All safety messages will follow the Safety Alert Symbol and either the word "DANGER" or "WARNING".



DANGER means that failure to heed this safety statement may result in severe personal injury or death.



WARNING means that failure to heed this safety statement may result in extensive product damage, serious personal injury, or death.

Safety messages will alert you to what the potential hazard is, tell you how to reduce the chance of injury, and let you know what can happen if the instructions are not followed.



Before the freezer is used, it must be properly positioned and installed as described in this manual, so read the manual carefully. To reduce the risk of fire, electrical shock or injury when using the freezer, follow basic precautions, including the following:



- Plug into a grounded 3-prong outlet. Do not remove grounding prong, do not use an adapter, and do not use an extension cord.
- It is recommended that a separate circuit, serving only your freezer, be provided. Use receptacles that cannot be turned off by a switch or pull chain.
- Never clean freezer parts with flammable fluids. These fumes can create a fire hazard or explosion. And do not store or use gasoline or other flammable vapors and liquids in the vicinity of this or any other appliance. The fumes can create a fire hazard or explosion.
- Before proceeding with cleaning and maintenance operations, make sure the power line of the unit is disconnected.
- Do not connect or disconnect the electric plug when your hands are wet.
- Unplug the freezer or disconnect the power before cleaning or servicing. Failure to do so can result in electrical shock or death.
- Do not attempt to repair or replace any part of your freezer unless it is specifically recommended in this manual. All other servicing should be referred to a qualified technician.

## **WARNING**

- Use two or more people to move and install the freezer. Failure to do so can result in back or other injury.
- To ensure proper ventilation for your freezer, the front of the unit must be completely unobstructed. Choose a well-ventilated area with temperatures above 60°F (16°C) and below 90°F (32°C). This unit must be installed in an area protected from the elements, such as wind, rain, water spray or drips.
- The freezer should not be located next to ovens, radiators or other sources of high heat.
- The freezer must be installed with all electrical connections in accordance with state and local codes. A standard electrical supply (115V AC only, 60 Hz), properly grounded in accordance with the National Electrical Code and local codes and ordinances, is required.
- Do not kink or pinch the power supply cord of the freezer.
- The fuse (or circuit breaker) size should be 15 amperes.
- It is important for the freezer to be leveled in order to work properly. You may need to make several adjustments to level it.
- Never allow children to operate, play with or crawl inside the freezer.
- Do not use solvent-based cleaning agents or abrasives on the interior. These cleaners may damage or discolor the interior.
- Do not use this apparatus for other than its intended purpose.

*THIS APPLIANCE IS DESIGNED FOR MEDICAL OR PHARMACEUTICAL USE ONLY. IT IS NOT INTENDED FOR USE AS A HOUSEHOLD FREEZER.*

---

## **DANGER**

### *Risk of child entrapment*

Child entrapment and suffocation are not problems of the past. Junked or abandoned refrigerators and freezers are still dangerous, even if they will “just sit in the garage a few days.”

- **Before you throw away your old refrigerator or freezer:** Take off the doors. Leave the shelves or drawers in place so that children may not easily climb inside.
- Never allow children to operate, play with, or crawl inside the refrigerator/freezer.

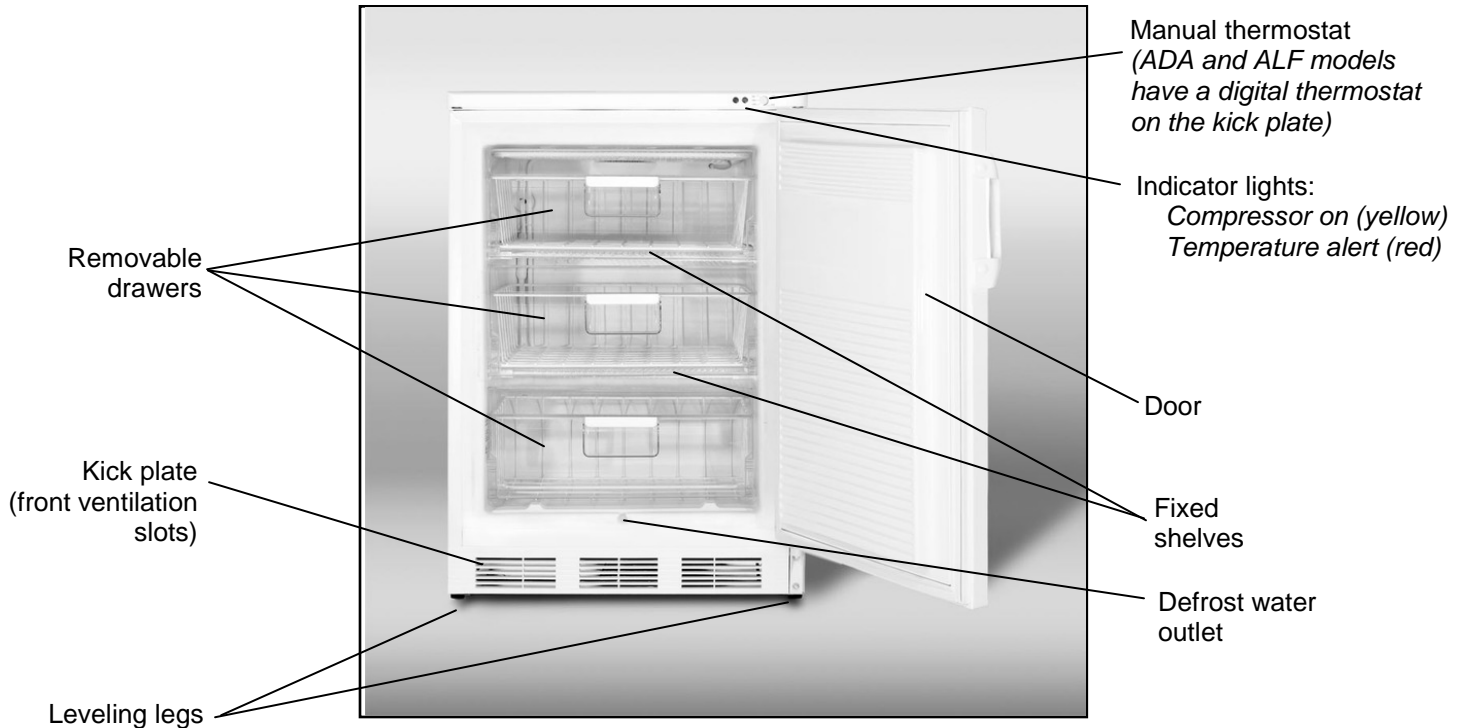
*THIS APPLIANCE IS NOT INTENDED FOR USE BY YOUNG CHILDREN OR INFIRM PERSONS UNLESS THEY HAVE BEEN ADEQUATELY SUPERVISED BY A RESPONSIBLE PERSON TO ENSURE THAT THEY CAN USE THE APPLIANCE SAFELY. YOUNG CHILDREN SHOULD BE SUPERVISED TO ENSURE THAT THEY DO NOT PLAY WITH THE APPLIANCE.*

**- SAVE THESE INSTRUCTIONS -**

# Table of Contents

<b>Important Safeguards</b> .....	<b>1 - 2</b>
<b>Location of Parts</b> .....	<b>4</b>
<b>Technical Information</b> .....	<b>5</b>
<b>Installation Instructions</b> .....	<b>6 - 9</b>
<i>Before Using Your Freezer</i> .....	6
<i>Installing the Freezer</i> .....	6
<i>Electrical Connection</i> .....	6 – 7
<i>Extension Cord</i> .....	7
<i>Reversing the Door Swing</i> .....	8 – 9
<i>Door Handle Installation</i> .....	9
<b>Operating Your Freezer</b> .....	<b>10 - 12</b>
<i>Temperature Control for models VT65M, VT65ML, VT65MBI         and VT65MLBI</i> .....	10 – 11
<i>Temperature Control for ADA models and models ALF620, ALF620BI,         ALF620L and ALFB621</i> .....	11
<i>Storing Frozen Items</i> .....	12
<i>Defrosting Your Freezer</i> .....	12
<b>Care and Maintenance</b> .....	<b>13</b>
<i>Cleaning Your Freezer / Power Failure / Vacation Time         Moving Your Freezer / Energy-Saving Tips</i>	
<b>Troubleshooting</b> .....	<b>14</b>
<b>Limited Warranty</b> .....	<b>15</b>
<b>French version of this manual</b> .....	<b>16 - 31</b>

# Location of Parts



*NOTE: Models VT65ML and ALF620L have a lock located on the front of the door.*

## Technical Information

<b>Model Number</b>	VT65M VT65ML (with lock)	VT65MBI VT65MLBI	VT65MADA VT65MLADA ALF620, ALF620L, ALFB621	ALF620BI
<b>Color</b>	White			
<b>Capacity</b>	3.5 cu. ft.			
<b>Electrical Input</b>	115V AC/60Hz			
<b>Rated Current</b>	1.3A			
<b>Coldest Internal Temperature</b>	-25°C			
<b>Refrigerant</b>	R134a, 2.7 oz.			
<b>Installation</b>	Free-standing	Built-in or free-standing	Free-standing	Built-in or free-standing
<b>Unit Dimensions (H x W x D)</b>	33.5" x 23.63" x 23.5"	33.5" to 34.5" x 23.63" x 23.5"	32.0" x 23.63" x 23.5"	

NOTES: 1. These freezers are suitable for storing vaccines, pharmaceuticals and other temperature-sensitive materials. They are not designed for the storage of foodstuffs.

2. Specifications are subject to change without notice.

## Installation Instructions

### Before Using Your Freezer:

- Remove the exterior and interior packing.
- Check to be sure you have all of the following parts:
  - 3 drawers
  - 1 short drain tube
  - 2 keys (*VT65ML and ALF620L models only*)
- **CAUTION:** *After unpacking you **MUST** allow this appliance to stand upright for at least 2 hours to allow the lubricant and refrigerant to drain back into the compressor and stabilize. Failure to do so may adversely affect performance and the lifetime of your unit.*
- Remove the drawers and clean them and the interior surfaces of the unit with lukewarm water using a soft cloth.

### Installing the Freezer:

- Place the unit on a floor that is strong enough to support the appliance when it is fully loaded. To level the unit, adjust the two leveling legs at the front.
- Unless the model numbers include the letters BI, these appliances are designed to be free-standing only, and should not be recessed or built in. When installing, allow at least 5 inches of space at the sides and top of the unit and 2 inches at the rear, which will allow the proper air circulation to cool the compressor and condenser.  
If your model has the letters BI in its model number, the appliance can be installed either free-standing or built-in. If the unit will be built into an enclosure, you must still allow at least 3/16" of clear space on both sides and at the top, and 2" at the back. Take care that the air vents at the front are never covered or blocked in any way.
- Locate the unit away from direct sunlight and sources of heat (oven, heater, radiator, etc.). Direct sunlight may affect the acrylic coating and heat sources may increase electrical consumption. Extremely cold ambient temperatures may also affect the unit's performance.
- Avoid locating the unit in moist areas. Too much moisture in the air will cause frost to form quickly on the evaporator, requiring more frequent defrosting of the freezer.
- Plug the unit into an exclusive, properly installed and grounded wall outlet. Do not under any circumstances cut or remove the third (ground) prong from the power cord. Any questions concerning power and/or grounding should be directed toward a certified electrician or authorized service center.

### Electrical Connection:

#### **WARNING**

*Improper use of the grounded plug can result in the risk of electrical shock. If the power cord is damaged, have it replaced by the manufacturer, its service agent or similarly qualified persons in order to avoid a hazard.*

This unit should be properly grounded for your safety. The power cord of this unit is equipped with a three-prong plug that mates with a standard three-prong wall outlet to minimize the possibility of electrical shock. Do not under any circumstances cut or remove the third ground prong from the power cord supplied.

This unit requires a standard 115-volt AC/60Hz electrical outlet with three-prong ground. Have the wall outlet and circuit checked by a qualified electrician to make sure the outlet is properly grounded. When a standard 2-prong wall outlet is encountered, it is your responsibility and obligation to have it replaced with a properly grounded 3-prong wall outlet.

To prevent accidental injury, the cord should be secured behind the unit and not left exposed or dangling.

The unit should always be plugged into its own individual electrical outlet having a voltage rating that matches the rating label on the appliance. This provides the best performance and also prevents overloading house wiring circuits that could cause a fire hazard from overheated wires.

Never unplug the unit by pulling on the power cord. Always grip the plug firmly and pull straight out from the receptacle. Repair or replace immediately any power cord that has become frayed or otherwise damaged. Do not use a cord that shows cracks or abrasion damage along its length or at either end. When moving the unit, be careful not to damage the power cord.

**Extension Cord:**

Do not use an extension cord with this appliance. If the power cord is too short, have a qualified electrician or service technician install an outlet near the appliance.

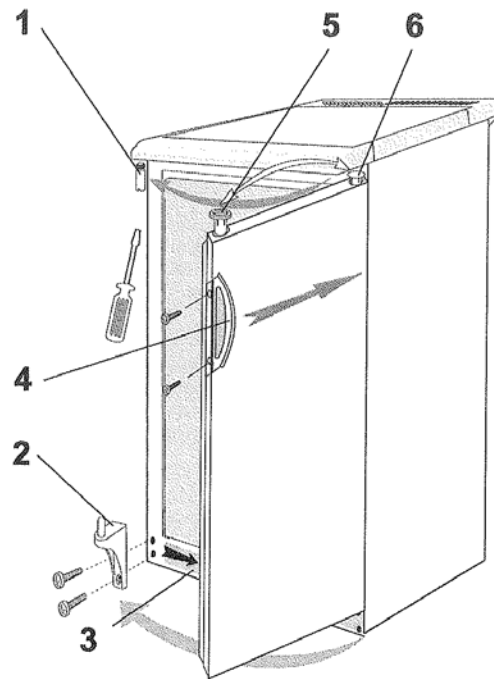


## **Reversing the Door Swing:**

Your freezer can be opened from either the right side or the left. By default, the door hinge is on the right side. If you prefer it on the left, please follow the appropriate instructions below:

*NOTE: All of the parts that are removed must be kept for the reinstallation of the door.*

*For models VT65M, VT65ML, VT65MBI and VT65MLBI:*



1. Upper hinge fastener

2. Lower hinge

3. Kick plate

4. Handle

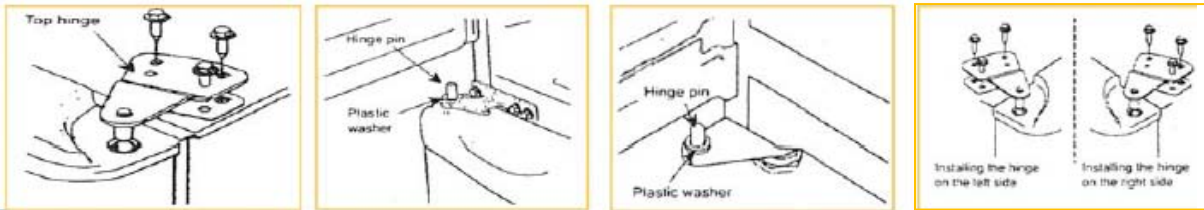
5. Door hinge fixture

6. Door hinge fixture plug

- a. Unscrew the lower hinge and take off the door.
- b. Push the kick plate to the right in the new position.
- c. Undo the upper hinge fastener and fix it to the opposite side of the housing, where you have already removed and replaced the fastener with the hole to the opposite side.
- d. Put the door on the upper hinge fastener.
- e. Fix the lower hinge in the new position.
- f. Unscrew the handle and place it on the opposite side.
- g. Some screws are covered with caps. Take off these caps before undoing the screws.
- h. Check the gasket. It should not be creased and should seal well.

For Models VT65MADA, VT65MLADA, ALF620/L, ALF620BI and ALFB621:

- a. Take off the upper hinge cover from the door and remove the screws that hold the top hinge.
- b. Lift the hinge straight up to free the hinge pin from the socket in the top of the door.
- c. Lift the door up and away to free its bottom socket from the hinge pin.
- d. Remove the screws to the bottom hinge.
- e. Remove the decorative caps from the opposite side and plug the holes from the original side with the decorative caps.
- f. Move the bottom hinge to the opposite side and tighten the screws. Use any lock washers or nuts if they were installed in the original installation.
- g. Loosely install the left-hand hinge provided with your unit on the top left side of the unit, moving the decorative caps to the right side.
- h. Replace door onto the hinge pin on the bottom hinge. Place top hinge pin into door. Insert screws into the top hinge and tighten.



If you notice the door not hanging straight, loosen the top hinge screws, adjust the door until it is level and tighten the screws.

**Door Handle Installation:**

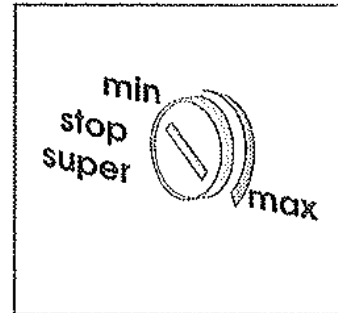
The door has two screw holes on each side, allowing you to install a handle (included). To do so, align the handle with the screw holes on the side you prefer. Fix the handle in place with the included screws, then cover the screw heads with the handle seal (included).

## Operating Your Freezer

*NOTE: If the unit is unplugged, has lost power, or is turned off, you must wait 3 to 5 minutes before restarting the unit. If you attempt to restart before this time delay, the freezer will not start.*

### **Temperature Control for models VT65M, VT65ML, VT65MBI and VT65MLBI:**

- The temperature control is a dial-operated thermostat located at the front of the freezer, in the upper right corner above the door. When the freezer operates automatically, the interior temperature is controlled by the thermostat. Normally, the thermostat setting should be in the middle, between **max** and **min**. (See illustration.)
- We recommend thermostat settings closer to **max** only in cases when you want to accelerate cooling such as before loading a number of unfrozen items. Settings closer to **min** help save energy, provided that the freezer is not overloaded.
- The **super** setting causes the compressor to run continuously and should be used sparingly. This setting can be used when you want to freeze a large number of unfrozen items or in case you want to deep-freeze already frozen items. The yellow light next to the thermostat will be lit when the **super** setting is active. Remember to turn the thermostat back to its normal setting after a short time.
- The **stop** setting halts the cooling process (the compressor turns off), but does not turn off the freezer. To turn the appliance off completely, you must unplug it.



### **Modes of Operation for dial-thermostat models:**

- **Automatic operation – the yellow light is on and off (with the compressor).**  
The interior temperature is controlled by the thermostat, which turns the cooling system on and off. The frequency of turning the cooling system on and off depends on:
  - the thermostat setting
  - how often the door is opened, and
  - ambient temperature.
- **Continuous operation – the yellow light is on steady.**  
The **super** setting of the thermostat is active, and the cooling system operates continuously, resulting in a quick freeze. Do not let the freezer operate under these conditions for long periods of time.
- **Temperature alert – the red light is on.**  
The red light (next to the thermostat) is on when there is a temperature-related problem in the freezer. See *Troubleshooting*.

### Switching on the Empty Freezer:

Plug in the freezer and set the thermostat to the **super** position (continuous operation). (The red and yellow control lights are on.) When the red light goes off, set the thermostat for normal operation. Wait a couple of hours, then load the freezer.

### Freezing Procedure:

To freeze larger amounts of unfrozen items (5 pounds or more), turn the thermostat knob to **super** for continuous operation (yellow light is on). After an hour or so, turn the thermostat down to its normal setting (yellow light goes off) and load the freezer. After 24 hours, all items should be frozen.

#### NOTES:

1. Keep unfrozen items out of contact with frozen ones.
2. There is no need to set the thermostat for continuous operation (**super**) if you only intend to freeze smaller quantities of fresh items (4 pounds or less).

### Temperature Control for ADA models and models ALF620, ALF620BI, ALF620L and ALFB621:

The temperature inside these freezers is controlled by a digital thermostat located in the kick plate at the front of the unit. Normally, the LED display shows the current temperature inside the unit. Temperature readings are in degrees Celsius.

The preset temperature range of the thermostat is -10 to -25°C \* (14 to -13°F), and the operating temperature is factory-set at -25°C (-13°F). If you find that it is necessary to change the temperature setting (*Set Point*) for your appliance, refer to the instructions below.

The front panel of the digital thermostat is shown here:



#### ➤ **To see the *Set Point*:**

Push and immediately release the *SET* key. The display will show the *Set Point* value. Wait 5 seconds and the interior temperature will display again.

#### ➤ **To change the *Set Point*:**

1. Push and hold the *SET* key for more than 3 seconds to change the *Set Point* value. The value of the *Set Point* will be displayed.
2. Push the UP or DOWN arrow to the desired setting. The new setting will be memorized after 15 seconds, provided no other keys are pushed.

\* The maximum/minimum range of the digital thermostat (-10 to -25°C) is preset and locked by us. To reset this range lock, either call us at **800-932-4267** or find information on our website under *Troubleshooting*.

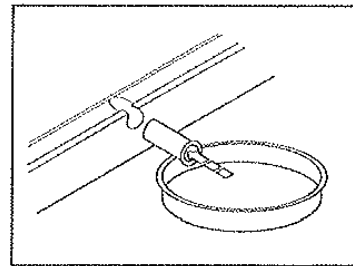
### **Storing Frozen Items:**

Frozen items may be stored in the three drawers, or can be placed directly on the cooling shelves if one or more of the drawers is removed.

### **Defrosting Your Freezer:**

For the most efficient operation and minimum energy consumption, defrost the freezer when the frost on the freezer walls reaches 1/8 to 1/4 inch in thickness.

1. If your freezer has a manual thermostat, an hour or so before defrosting, set it to **super** (yellow light will be on) so that the freezer contents are well-frozen. After that, empty the freezer and take care that the items do not begin to thaw. If your unit has a digital thermostat, just remove and store the contents before defrosting.
2. To start defrosting, unplug the freezer and remove the drawers.
3. Insert the enclosed tubing into the groove in the bottom of the appliance and place a container underneath to collect the defrost water. (See *illustration*.) Defrosting is accelerated if the door is left open.
4. Use a sponge or toweling to remove water and melting ice from the freezer floor. After the frost or ice has melted, dry the interior of the freezer thoroughly.
5. Restart the freezer by plugging it in and turning the (manual) thermostat to the desired position. Once the freezer is cold, put back the drawers and contents.



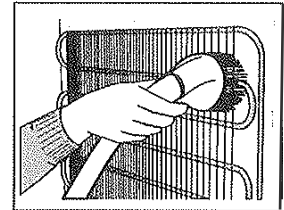
**CAUTION:** Do not use boiling water or an electric device such as a hair dryer to help speed up the defrosting because this could damage the plastic parts of the unit. In addition, never use a sharp or metallic instrument to remove frost as it may damage the cooling coils and will void the warranty. We recommend using a plastic scraper.

## Care and Maintenance

### **Cleaning Your Freezer:**

**CAUTION:** Failure to unplug the unit before cleaning can result in electrical shock or personal injury.

1. Unplug the freezer and remove the frozen items and drawers.
2. Wash the inside surfaces with a solution of lukewarm water and vinegar. Wipe dry with a clean, soft cloth.
3. Wash the drawers with a mild detergent solution, then rinse and dry thoroughly.
4. Wash the outside cabinet with warm water and mild liquid detergent. Rinse well and wipe dry with a clean soft cloth.
5. Wring excess water out of the sponge or cloth before cleaning the area of the temperature control or any electrical parts.
6. From time to time, wipe the condenser on the rear wall with a soft non-metallic brush or vacuum cleaner. (See illustration.)
7. After you have cleaned the appliance, reconnect it to the power supply and return the drawers and frozen items back to their place.



### **Power Failure:**

Most power failures are corrected within a few hours and should not affect the temperature of your freezer if you minimize the number of times the door is opened. If the power is going to be off for a longer period of time, you need to take the proper steps to protect your frozen items.

### **Vacation Time:**

During long absences, remove all the contents of the freezer. Unplug the freezer, clean it and leave the door open slightly to avoid possible formation of condensation, mold or odors.

### **Moving Your Freezer:**

1. Remove the contents of the freezer.
2. Securely tape down all loose items (e.g., drawers) inside your unit.
3. Turn the leveling legs up to the base to avoid damage.
4. Tape the door shut.
5. Be sure the freezer stays secure in the upright position during transportation.

### **Energy-Saving Tips:**

- The freezer should be located in the coolest area of the room, away from heat-producing appliances or heating ducts and out of direct sunlight.
- Try not to open the door too often, especially when the weather is damp and hot. Once you open the door, close it as soon as possible.
- Occasionally check if the appliance is sufficiently ventilated (adequate air circulation behind and in front of the appliance).
- Set the thermostat from higher to lower settings as soon as possible (depends on how loaded the appliance is, ambient temperature, etc.).
- Before loading items into the unit, be sure they are cooled to ambient temperature.
- A layer of frost and ice increases energy consumption, so defrost the appliance as soon as the layer is 1/8"-1/4" thick.

## Troubleshooting

When using the freezer, you may come across some problems that in many cases result from improper handling of the appliance and can easily be eliminated.

### TROUBLESHOOTING GUIDE

*The appliance fails to operate after being connected to the power source.*

- Check whether the power supply is active and that the (manual) thermostat is not set to the **stop** position.

*The red light is on (manual thermostat), or unit is not cooling properly (digital thermostat).*

- The door was opened frequently or it was left open too long.
- The door is not properly closed (the door may sag; the gasket may be dirty or damaged).
- The power supply has been interrupted for a long period of time.
- The appliance may have been overloaded with unfrozen items.

*The compressor is running continuously.*

- Set the (manual) thermostat from **super** to another setting.
- Increase the *Set Point* on the (digital) thermostat slightly.
- There may be inadequate ventilation of the compressor and condenser. (Assure there is adequate air circulation behind the appliance and wipe the dust from the condenser.) The space in front of the front air vents must be clear.

*The freezer door is hard to open.*

If you try to open the door after it has just recently been closed, you may find it hard to open. This is because, when you open the door, warm air gets into the appliance and when it is cooling, lower interior pressure seals the door.

The door can be opened more easily by slightly pressing the gasket against the door and pulling on the door.

After 5 to 10 minutes, the door can be opened easily.

### Noise

Cooling in refrigeration appliances is enabled by the refrigerating system with compressor, which produces noise. How noisy the appliance is depends on where it is placed, how it is used and how old the appliance is.

- During the operation of the compressor, the noise of liquid is heard and when the compressor is not operating, the refrigerant flow is heard. This is a normal condition and has no influence whatsoever on the lifetime of the appliance.
- After starting the appliance, the operation of the compressor and the refrigerant flow may be louder. This does not mean that something is wrong. Gradually the noise is reduced.
- Sometimes a louder noise is heard, which is unusual for the appliance. This noise is often a consequence of improper placement of the unit. (The freezer should be placed and leveled firmly on a solid base and it should not touch the wall or cabinets standing next to it.)

# Limited Warranty

## ONE-YEAR LIMITED WARRANTY

Within the 48 contiguous United States, for one year from the date of purchase, when this appliance is operated and maintained according to instructions attached to or furnished with the product, warrantor will pay for factory-specified parts and repair labor to correct defects in materials or workmanship. Service must be provided by a designated service company. Outside the 48 states, all parts are warranted for one year from manufacturing defects. Plastic parts, shelves and cabinets are warranted to be manufactured to commercially acceptable standards, and are not covered from damage during handling or breakage.

## 5-YEAR COMPRESSOR WARRANTY

1. The compressor is covered for 5 years.
2. Replacement does not include labor.

### **ITEMS WARRANTOR WILL NOT PAY FOR:**

1. Service calls to correct the installation of your appliance, to instruct you how to use your appliance, to replace or repair fuses or to correct wiring or plumbing.
2. Service calls to repair or replace appliance light bulbs or broken shelves. Consumable parts (such as filters) are excluded from warranty coverage.
3. Damage resulting from accident, alteration, misuse, abuse, fire, flood, acts of God, improper installation, installation not in accordance with electrical or plumbing codes, or use of products not approved by warrantor.
4. Replacement parts or repair labor costs for units operated outside the United States.
5. Repairs to parts or systems resulting from unauthorized modifications made to the appliance.
6. Expenses for travel and transportation for product service in remote locations.
7. The removal and reinstallation of your appliance if it is installed in an inaccessible location or is not installed in accordance with published installation instructions.

## DISCLAIMER OF IMPLIED WARRANTIES - LIMITATION OF REMEDIES

CUSTOMER'S SOLE AND EXCLUSIVE REMEDY UNDER THIS LIMITED WARRANTY SHALL BE PRODUCT REPAIR AS PROVIDED HEREIN. IMPLIED WARRANTIES, INCLUDING WARRANTIES OF MERCHANTABILITY OR FITNESS FOR A PARTICULAR PURPOSE, ARE LIMITED TO ONE YEAR. WARRANTOR SHALL NOT BE LIABLE FOR INCIDENTAL OR CONSEQUENTIAL DAMAGES. SOME STATES DO NOT ALLOW THE EXCLUSION OR LIMITATION OF INCIDENTAL OR CONSEQUENTIAL DAMAGES, OR LIMITATIONS ON THE DURATION OF IMPLIED WARRANTIES OF MERCHANTABILITY OR FITNESS, SO THESE EXCLUSIONS OR LIMITATIONS MAY NOT APPLY TO YOU. THIS WARRANTY GIVES YOU SPECIFIC LEGAL RIGHTS AND YOU MAY ALSO HAVE OTHER RIGHTS, WHICH VARY FROM STATE TO STATE.

**WARNING!** This product may contain chemicals known to the state of California to cause cancer or birth defects or other reproductive harm. For more information, visit: [www.summitappliance.com/prop65](http://www.summitappliance.com/prop65)  
Chemicals known by the manufacturer to be present in this product in concentrations higher than threshold limits: NONE.

**FELIX STORCH, INC.**  
770 Garrison Avenue  
Bronx, NY 10474  
Phone: (718) 893-3900  
Fax: (844) 478-8799  
[www.medicalrefrigerators.com](http://www.medicalrefrigerators.com)

**accucold**  
by SUMMIT APPLIANCE

For parts and accessory ordering,  
troubleshooting and helpful hints, visit:  
[www.summitappliance.com/support](http://www.summitappliance.com/support)



# MESURES DE SÉCURITÉ IMPORTANTES

**Votre sécurité et celle des autres sont très importantes.**

Nous donnons de nombreux messages de sécurité importants dans ce manuel et sur votre appareil. Toujours lire et respecter les consignes de sécurité.



Ceci est le symbole de sécurité. Le symbole vous signale les dangers potentiels qui peuvent tuer ou blesser vous et les autres. Tous les messages de sécurité suivront le symbole de sécurité et soit les mots "DANGER" ou "AVERTISSEMENT".



DANGER signifie que la non observation de cette prescription de sécurité peut entraîner des blessures ou la mort.



AVERTISSEMENT signifie que la non observation de cette prescription de sécurité peut entraîner de graves dommages au produit, des blessures graves ou la mort.

Tous les messages de sécurité vous alertent sur le danger potentiel, vous disent comment réduire le risque de blessure, et vous permettent de connaître ce qui peut arriver si les instructions ne sont pas suivies.



Avant que le congélateur soit utilisé, il doit être correctement positionné et installé comme décrit dans ce manuel, afin de lire attentivement le manuel. Pour réduire le risque d'incendie, de choc électrique ou de blessure lors de l'utilisation du congélateur, suivre les précautions de base, y compris ce qui suit:



- Brancher sur une prise à 3 broches mise à la terre, ne pas retirer broche de terre, ne pas utiliser un adaptateur, et ne pas utiliser une rallonge.
- Il est recommandé qu'un circuit distinct pour alimenter uniquement votre appareil soit assuré. Utilisez des récipients qui ne peuvent être désactivés par interrupteur ou une chaîne de traction.
- Ne jamais nettoyer les pièces de l'appareil avec des liquides inflammables. Ces émanations peuvent provoquer un risque d'incendie ou d'explosion. Et ne pas stocker ou utiliser de l'essence ou d'autres vapeurs et liquides inflammables à proximité de cet ou tout autre appareil. Les vapeurs peuvent créer un risque d'incendie ou d'explosion
- Avant de procéder à des opérations de nettoyage et d'entretien, assurez-vous que la ligne d'alimentation de l'appareil est débranchée.
- Ne pas brancher ou débrancher la prise électrique lorsque vos mains sont humides.
- Débrancher l'appareil ou couper le courant avant le nettoyage ou l'entretien. Ne pas le faire peut entraîner un choc électrique ou la mort.
- Ne pas tenter de réparer ou remplacer toute pièce de votre congélateur à moins qu'il ne soit spécifiquement recommandé dans ce manuel. Tout autre entretien doit être confié à un technicien qualifié.



## AVERTISSEMENT

- Utilisez deux personnes ou plus pour déplacer et installer le congélateur. Défaut de le faire peut conduire aux blessures de dos ou d'autres.
- Pour assurer une bonne ventilation de votre appareil, le devant de l'appareil doit être complètement dégagé. Choisissez un endroit bien ventilé avec des températures supérieures à 60 ° F (16 ° C) et en dessous de 90 ° F (32 ° C). Cet appareil doit être installé dans un endroit protégé contre les éléments, tels que le vent, la pluie, de l'eau pulvérisée ou de gouttes.
- Le congélateur ne doit pas être situé à côté de fours, grilles ou d'autres sources de forte chaleur.
- L'appareil doit être installé avec toutes les connexions de l'électricité, de l'eau et du drainage en conformité avec les codes nationaux et locaux. Une alimentation électrique standard (115 V CA seulement, 60 Hz), correctement mise en conformité avec le National Electrical Code et les codes et règlements locaux, est nécessaire.
- Ne pas plier ou pincer le cordon d'alimentation du congélateur.
- La taille du fusible (ou disjoncteur) doit être de 15 ampères.
- Il est important que l'appareil soit à niveau afin de fonctionner correctement. Vous pouvez avoir besoin de faire plusieurs ajustements pour y arriver.
- Ne jamais laisser les enfants utiliser, jouer avec ou ramper à l'intérieur du congélateur.
- Ne pas utiliser de produits de nettoyage à base de solvants ou d'abrasifs sur l'intérieur. Ces nettoyants peuvent endommager ou décolorer l'intérieur.
- Utilisez cet appareil uniquement pour son usage prévu.

*CET APPAREIL EST CONÇU POUR L'USAGE MÉDICAL OU PHARMACEUTIQUE SEULEMENT. IL N'EST PAS DESTINÉ À ÊTRE UTILISÉ COMME CONGÉLATEUR POUR LE MÉNAGE.*



## DANGER



### ***Risque d'emprisonnement des enfants!***

Des enfants pris au piège et suffoqués n'est pas un scénario du passé. Les appareils jetés ou abandonnés sont encore dangereux, même s'ils sont « simplement entreposés dans le garage pendant quelques jours ».

*Avant de jeter votre ancien appareil:*

- *Retirer les portes. Laissez les étagères ou des paniers en place afin que les enfants ne puissent pas grimper facilement à l'intérieur*
- *Ne jamais laisser les enfants utiliser, jouer avec, ou de ramper à l'intérieur du réfrigérateur / congélateur.*

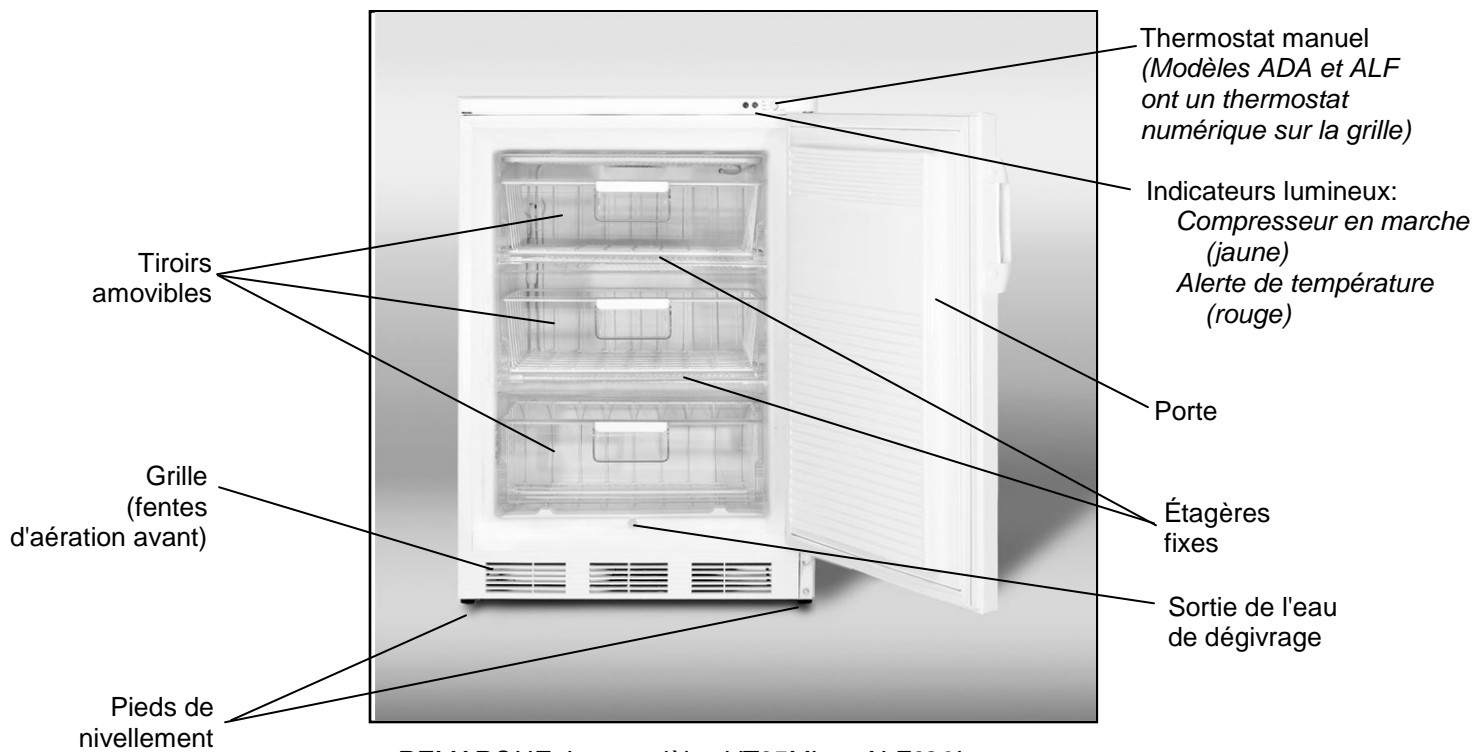
**CET APPAREIL EST PAS DESTINÉ À L'USAGE DES JEUNES ENFANTS OU DES PERSONNES HANDICAPÉES À MOINS QU'ILS AIENT ÉTÉ ADÉQUATEMENT SUPERVISÉ PAR UNE PERSONNE RESPONSABLE DE FAÇON QU'ILS PEUVENT UTILISER LES APPAREIL EN TOUTE SÉCURITÉ. JEUNES ENFANTS DOIVENT ÊTRE SURVEILLÉS POUR ÉVITER QU'ILS NE PAS JOUER AVEC L'APPAREIL.**

**- CONSERVEZ CES INSTRUCTIONS -**

## Table des matières

<b>Mesures de sécurité importantes</b> .....	<b>16 - 17</b>
<b>Emplacement des pièces</b> .....	<b>19</b>
<b>Informations techniques</b> .....	<b>20</b>
<b>Instructions d'installation</b> .....	<b>21 - 24</b>
<i>Avant d'utiliser votre congélateur</i> .....	21
<i>Installation du congélateur</i> .....	21
<i>Connexion électrique</i> .....	22
<i>Rallonge</i> .....	22
<i>Inversion de l'ouverture de la porte</i> .....	23 - 24
<i>Installation de la poignée de porte</i> .....	24
<b>Fonctionnement de votre congélateur</b> .....	<b>25 - 27</b>
<i>Contrôle de la température pour les modèles VT65M, VT65ML, VT65MBI         et VT65MLBI</i> .....	25- 26
<i>Contrôle de la température pour les modèles ADA et ALF620, ALF620BI,         ALF620L et ALFB621</i> .....	26
<i>Stockage de produits congelés</i> .....	27
<i>Décongélation de votre congélateur</i> .....	27
<b>Soins et maintien</b> .....	<b>27 - 28</b>
<i>Nettoyage de votre congélateur</i> .....	27 - 28
<i>Panne de courant</i> .....	28
<i>Vacances</i> .....	28
<i>Déplacement de votre congélateur</i> .....	28
<b>Dépannage</b> .....	<b>29 - 30</b>
<b>Garantie limitée</b> .....	<b>31</b>

## Emplacement des pièces



*REMARQUE: Les modèles VT65ML et ALF620L ont une serrure située à l'avant de la porte.*

## Informations techniques

<b>Numéro de modèle</b>	VT65M VT65ML (avec serrure)	VT65MBI VT65MLBI	VT65MADA VT65MLADA ALF620, ALF620L, ALFB621	ALF620BI
<b>Couleur</b>	Blanc			
<b>Capacité</b>	3.5 pieds cubes (99 litres)			
<b>Entrée électrique</b>	115V CA/60Hz			
<b>Ampérage</b>	1.3A			
<b>Température interne la plus froide</b>	-25°C			
<b>Refrigérant</b>	R134a, 2.7 onces (76,5 g)			
<b>Installation</b>	Autoportante	Encastrée ou autoportante	Autoportante	Encastrée ou autoportante
<b>Dimensions de l'unité (Ha x La x Pr)</b>	85,1 x 60,0 x 59,7 cm	85,1 à 87,6 x 60,0 x 59,7 cm	81,3 x 60,0 x 59,7 cm	

- NOTES: 1. Ces congélateurs sont appropriés pour la conservation des vaccins, des produits pharmaceutiques et d'autres matières sensibles à la température. Ils ne sont pas conçus pour le stockage de denrées alimentaires.
2. Les spécifications sont sujettes à modification sans préavis.

# Instructions d'installation

## Avant d'utiliser votre congélateur :

- Retirer l'emballage extérieur et intérieur.
- Vérifiez que vous avez toutes les pièces suivantes:
  - 3 tiroirs
  - 1 tube de drainage courte
  - 2 clés (les modèles VT65ML et ALF620L seulement)
- **ATTENTION:** *Après le déballage vous **DEVEZ** permettre votre appareil de se tenir debout pendant au moins 2 heures pour permettre aux lubrifiant et réfrigérant à écouler dans le compresseur et se stabiliser. Ne pas le faire peut affecter les performances et la durée de vie de l'unité.*
- Retirer les tiroirs et les nettoyer et les surfaces intérieures de l'appareil avec de l'eau tiède à l'aide d'un chiffon doux.

## Installation du congélateur :

- Placez l'appareil sur un plancher qui est assez solide pour supporter-le quand il est entièrement chargé. Pour mettre à niveau l'unité, réglez les deux pieds de nivellement à l'avant.
- À moins que les numéros de modèles incluent les lettres BI, ces appareils sont conçus pour être autoportants et ne doivent pas être encastrés ou intégrés. Lors de l'installation, laissez au moins 5 pouces d'espace sur les côtés et le dessus de l'appareil et 2 pouces à l'arrière, ce qui permettra la circulation de l'air pour refroidir le compresseur et le condenseur.  
Si votre modèle a les lettres de BI dans son numéro de modèle, l'appareil peut être installé soit autoportant ou encastré. Si l'unité sera construite dans une enceinte, vous devez toujours prévoir au moins 3/16 " d'espace libre sur les deux côtés et au sommet, et 2" à l'arrière. Veillez à ce que les fentes d'aération à l'avant ne sont jamais couvertes ou bloquées en aucune manière.
- Éloignez l'appareil de la lumière directe du soleil et des sources de chaleur (four, radiateur, etc.). La lumière directe du soleil peut affecter le revêtement acrylique et les sources de chaleur peuvent augmenter la consommation électrique. Des températures ambiantes extrêmement froides peuvent également affecter la performance de l'unité.
- Évitez de placer l'appareil dans les zones humides. Trop d'humidité dans l'air va provoquer le givre pour former rapidement sur l'évaporateur, ce qui nécessite un dégivrage plus fréquent du congélateur.
- Branchez l'appareil dans une prise murale exclusive, correctement installée et mise à la terre. Ne pas en aucun cas couper ou supprimer le troisième pôle (terre) du cordon d'alimentation. Toute question concernant le pouvoir et / ou mise à la terre doivent être adressées à un électricien certifié ou à un centre de service agréé.

### **Connexion électrique :**



### **AVERTISSEMENT**

*Une mauvaise utilisation de la prise de terre peut entraîner un risque de choc électrique. Si le cordon d'alimentation est endommagé, le faire remplacer par le fabricant, son agent de service ou une personne qualifiée afin d'éviter un danger.*

Cet appareil doit être correctement mis à la terre pour votre sécurité. Le cordon d'alimentation de cet appareil est équipé d'une fiche à trois broches qui accouple avec les prises murales standard à trois broches afin de minimiser le risque de choc électrique.

Ne pas en aucun cas couper ou supprimer le troisième pôle (terre) du cordon d'alimentation fourni. Pour votre sécurité, cet appareil doit être correctement mis à la terre.

Cette unité nécessite une norme électrique de 115 volts CA / 60Hz avec une prise à terre à trois broches.

Pour éviter toute blessure accidentelle, le cordon doit être fixé derrière l'unité et non laissé exposé ou pendant.

Ne débranchez jamais l'appareil en tirant sur le cordon d'alimentation. Toujours saisir fermement la fiche et tirez toute droite sortie de la prise.

L'appareil doit toujours être branché sur une prise murale exclusive, à la terre ayant une tension qui correspond à l'étiquette apposée sur l'appareil. Cette offre les meilleures performances et empêche aussi la surcharge des circuits de câblage de la maison qui pourraient entraîner un risque d'incendie de la surchauffe. Ne jamais débrancher l'appareil en tirant sur le cordon d'alimentation. Toujours saisir fermement la fiche et tirez tout droit sorti de la prise. Réparer ou remplacer immédiatement tout cordon d'alimentation qui est devenu usé ou endommagé. Ne pas utiliser un cordon qui présente des fissures ou une usure sur sa longueur ou à l'une des extrémités. Lors du déplacement de l'appareil, veillez à ne pas endommager le cordon d'alimentation.

### **Rallonge :**

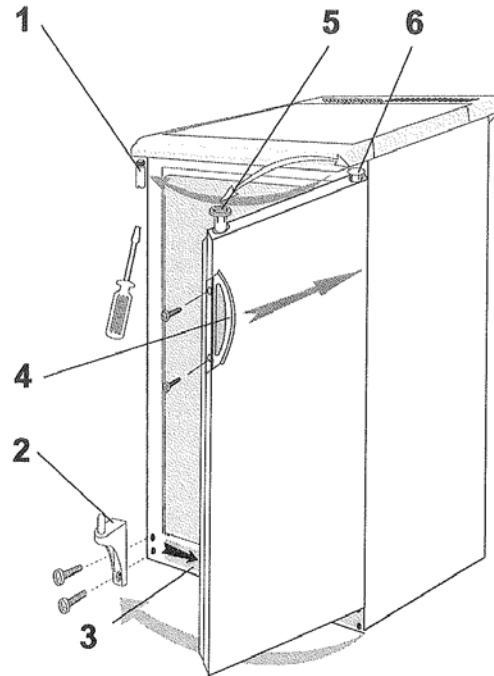
Ne pas utiliser une rallonge avec cet appareil. Si le cordon d'alimentation est trop court, demandez à un technicien électricien ou technicien qualifié d'installer une prise près de l'appareil.

## **Inversion de l'ouverture de la porte :**

Votre congélateur peut être ouvert à partir de la droite ou la gauche. Par défaut, la charnière de porte est sur le côté droit. Si vous préférez-la sur la gauche, s'il vous plaît suivez les instructions appropriées ci-dessous :

*REMARQUE: Toutes les pièces qui sont démontées doivent être conservées pour la réinstallation de la porte.*

Pour les modèles VT65M, VT65ML, VT65MBI et VT65MLBI :



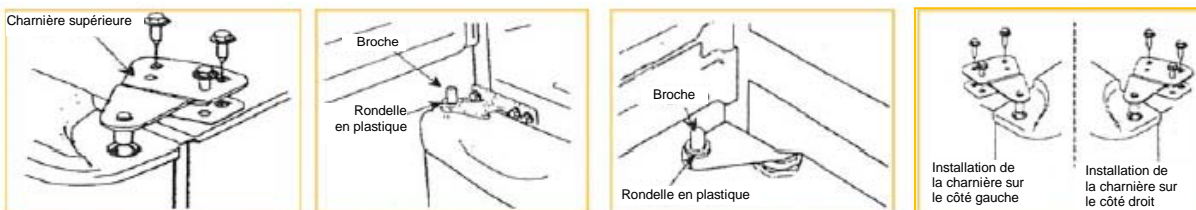
1. Dispositif de fixation de charnière supérieure
2. Charnière inférieure
3. Grille
4. Poignée
5. Dispositif de fixation de charnière de porte
6. Bouchon de dispositif de fixation de charnière de porte

- a. Dévissez la charnière inférieure et enlever la porte.
- b. Poussez la grille à la droite dans la nouvelle position.
- c. Défaire le dispositif de fixation de la charnière supérieure et fixez-le sur le côté opposé du boîtier, où vous avez déjà supprimé et remplacé le dispositif de fixation avec le trou sur le côté opposé.
- d. Mettez la porte sur le dispositif de fixation de la charnière supérieure.
- e. Fixez la charnière inférieure dans la nouvelle position.
- f. Dévissez la poignée et placez-la sur le côté opposé.
- g. Certaines vis sont couvertes avec des bouchons. Enlevez ces bouchons avant de démonter les vis.
- h. Vérifier le joint. Il ne devrait pas être froissé et devrait bien sceller.



Pour les modèles VT65MADA, VT65MLADA, ALF620/L, ALF620BI et ALFB621 :

- a. Enlever le couvercle de la charnière supérieure de la porte et enlever les vis qui maintiennent la charnière supérieure.
- b. Soulevez la charnière droit pour dégager la broche de charnière de la prise dans le haut de la porte.
- c. Soulevez la porte haut et loin pour libérer sa prise en bas de la broche de charnière.
- d. Retirer les vis de la charnière inférieure.
- e. Retirer les capuchons décoratifs du côté opposé et boucher les trous du côté d'origine avec les capuchons.
- f. Déplacez la charnière inférieure sur le côté opposé et serrer les vis. Utilisez des rondelles de blocage ou d'écrous s'ils ont été installés dans l'installation d'origine.
- g. Installer sans serrer la charnière gauche fournie avec votre appareil sur le côté supérieur gauche de l'appareil tout en déplaçant les capuchons décoratifs sur le côté droit.
- h. Remplacez la porte sur la broche sur la charnière inférieure. Placez la broche de la charnière supérieure dans la porte. Insérer les vis dans la charnière supérieure et les serrer.



Si vous remarquez la porte ne pend pas droit, desserrez les vis de la charnière supérieure, réglez la porte jusqu'à ce qu'elle soit de niveau et serrez les vis.

### **Installation de la poignée de porte :**

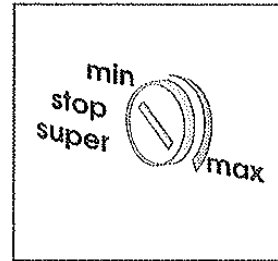
La porte a deux trous de vis sur chaque côté, vous permettant d'installer une poignée (incluse). Pour ce faire, aligner la poignée avec les trous de vis sur le côté que vous préférez. Fixer la poignée en place avec les vis fournies, puis couvrir les têtes de vis avec le joint de la poignée (inclus).

## Fonctionnement de votre congélateur

*REMARQUE: Si l'appareil est débranché, a perdu le pouvoir, ou est désactivé, vous devez attendre 3 à 5 minutes avant de redémarrer l'unité. Si vous essayez de redémarrer avant ce délai, le congélateur ne démarre pas.*

### Contrôle de la température pour les modèles VT65M, VT65ML, VT65MBI et VT65MLBI :

- Le contrôle de la température est un thermostat cadran situé à l'avant du congélateur, dans le coin supérieur droit au-dessus de la porte. Lorsque le congélateur fonctionne automatiquement, la température intérieure est commandée par le thermostat. Normalement, le réglage du thermostat devrait être dans le milieu, entre **max** et **min**. (Voir l'illustration.)
- Nous recommandons les réglages du thermostat plus près du **max** seulement dans les cas où vous voulez accélérer le refroidissement comme avant de charger un certain nombre d'articles non gelés. Des réglages plus près de **min** aideront économiser de l'énergie, à condition que le congélateur ne soit pas surchargé.
- Le réglage de **super** provoque le compresseur pour fonctionner en continu et doit être utilisé avec parcimonie. Ce réglage peut être utilisé lorsque vous souhaitez figer un grand nombre d'articles non gelés ou si vous voulez de surgeler des éléments déjà figés. La lumière jaune à côté du thermostat est allumée lorsque le réglage de **super** est actif. Rappelez-vous de tourner le thermostat à son réglage normal après une courte période.
- Le réglage de **stop** arrête le processus de refroidissement (le compresseur éteint), mais ne désactive pas le congélateur. Pour éteindre l'appareil complètement, vous devez le débrancher.



### Modes de fonctionnement pour les modèles avec thermostat à cadran :

- **Fonctionnement automatique – la lumière jaune est allumée et éteinte (avec le compresseur).**  
La température intérieure est commandée par le thermostat, ce qui met le système de refroidissement en marche et hors tension. La fréquence de mettant en marche et d'éteignant le système de refroidissement dépend de:
  - le réglage du thermostat
  - la fréquence à laquelle la porte est ouverte, et
  - la température ambiante.
- **Opération continue – la lumière jaune est allumée fixe.**  
Le réglage **super** du thermostat est actif, et le système de refroidissement fonctionne en continu, ce qui entraîne des gelées rapides. Ne laissez pas le congélateur fonctionner dans ces conditions pendant de longues périodes de temps.
- **Alerte de température – la lumière rouge est allumée.**  
La lumière rouge (à côté du thermostat) est allumée quand il y a un problème lié à la température dans le congélateur. Voir *Dépannage*.

### Mise en marche le congélateur vide :

Brancher le congélateur et réglez le thermostat à la position **super** (fonctionnement continu). (Les lumières rouges et jaunes sont allumées.) Quand la lumière rouge se éteint, régler le thermostat pour un fonctionnement normal. Attendre quelques heures, puis charger le congélateur.

### Procédure de congélation :

Pour congeler de grandes quantités d'articles dégelés (5 livres ou plus), tourner le bouton du thermostat à **super** pour un fonctionnement continu (la lumière jaune est allumée). Après une heure ou deux, tourner le thermostat à sa position normale (la lumière jaune éteint) et charger le congélateur. Après 24 heures, tous les articles doivent être congelés.

#### REMARQUES:

1. Gardez les articles non gelés hors de contact avec des surgelés.
2. Il n'y a pas besoin de régler le thermostat pour un fonctionnement continu (**super**) si vous ne souhaitez congeler de petites quantités de produits frais (4 livres ou moins).

### Contrôle de la température pour les modèles ADA et les modèles ALF620, ALF620BI, ALF620L et ALFB621 :

La température à l'intérieur de ces congélateurs est contrôlée par un thermostat numérique situé dans la grille à l'avant en bas de l'appareil. Normalement, l'affichage LED indique la température actuelle à l'intérieur de l'unité. Les relevés de température sont en degrés Celsius.

La gamme de température préréglée du thermostat est de -10 à -25 ° C \* (-14 à -13 ° F), et la température de fonctionnement est réglée en usine à -25 ° C (-13 ° F). Si vous trouvez qu'il est nécessaire de changer le réglage de la température (*Set Point*) pour votre appareil, reportez-vous aux instructions ci-dessous.

Le panneau avant du thermostat numérique est montré ici :



#### ➤ **Pour voir le Set Point (point de consigne) :**

Presser et relâcher immédiatement la touche *SET*. L'écran affiche la valeur du point de consigne. Attendre 5 secondes et la température intérieure va afficher à nouveau.

#### ➤ **Pour changer le Set Point:**

1. Appuyez et maintenez la touche *SET* pendant plus de 3 secondes pour modifier la valeur du *Set Point*. La valeur du *Set Point* sera affichée.
2. Poussez la flèche haute ou basse à la position désirée. Le nouveau réglage sera mémorisé après 15 secondes, à condition qu'aucune d'autres touches sont poussées.

\* La gamme maximum / minimum du thermostat numérique (-10 à -25 ° C) est préréglée et verrouillée par nous. Pour réinitialiser cette gamme, soit appelez-nous au **800-932-4267**, ou trouvez des informations sur notre site Web, sous *Dépannage*.

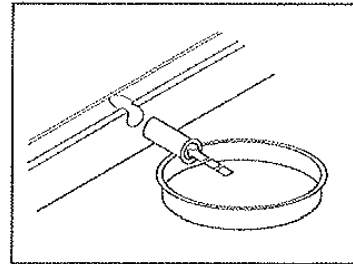
### **Stockage de produits congelés :**

Articles congelés peuvent être stockés dans les trois tiroirs, ou peuvent être placés directement sur les étagères de refroidissement si un ou plusieurs des tiroirs est retiré.

### **Décongélation de votre congélateur :**

Pour l'opération la plus efficace et la consommation d'énergie minimale, décongeler le congélateur lorsque le givre sur les parois du congélateur atteint une épaisseur de 1/8 à 1/4 pouce.

1. Si votre congélateur a un thermostat manuel, une heure ou deux avant le dégivrage, réglez-le à **super** (lumière jaune sera allumée) afin que le contenu du congélateur soit bien congelé. Après cela, vider le congélateur et veiller à ce que les articles ne commencent à décongeler. Si votre appareil a un thermostat numérique, il suffit de retirer et de stocker le contenu avant la décongélation.
2. Pour démarrer le dégivrage, débranchez le congélateur et retirez les tiroirs.
3. Insérer la tubulure comprise dans la rainure dans le fond de l'appareil et placer un récipient en dessous pour recueillir l'eau de dégivrage. (Voir l'illustration.) Le dégivrage est accéléré si la porte est laissée ouverte.
4. Utilisez une éponge ou du papier absorbant pour éliminer l'eau et la fonte des glaces du plancher du congélateur. Après le givre ou de glace a fondu, sécher l'intérieur du congélateur à fond.
5. Redémarrez le congélateur en le branchant et en tournant le thermostat (manuel) à la position désirée. Une fois que le congélateur est froid, remettre les tiroirs et les contenus.



**ATTENTION:** Ne pas utiliser d'eau bouillante ou un dispositif électrique comme un sèche-cheveux pour aider à accélérer le dégivrage, car cela pourrait endommager les pièces en plastique de l'unité. En outre, ne jamais utiliser un instrument pointu ou métallique pour enlever le givre car cela pourrait endommager les serpentins de refroidissement et annulera la garantie. Nous vous recommandons d'utiliser un grattoir en plastique.

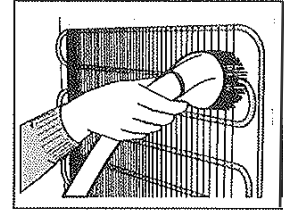
## **Soins et entretien**

### **Nettoyage de votre congélateur :**

**ATTENTION:** Ne pas débrancher l'appareil avant le nettoyage peut entraîner un choc électrique ou de blessure.

1. Débranchez le congélateur et supprimer les éléments et les tiroirs congelés.
2. Lavez les surfaces intérieures avec une solution d'eau tiède et de vinaigre. Essuyer avec un chiffon doux et propre.
3. Laver les tiroirs avec une solution de détergent doux, puis rincer et sécher complètement.
4. Lavez l'extérieur avec de l'eau chaude et un détergent liquide doux. Rincez bien et séchez avec un chiffon doux et propre.

5. Essorez l'excès d'eau de l'éponge ou le chiffon avant de nettoyer la zone du contrôle de la température ou des pièces électriques.
6. De temps en temps, essuyez le condenseur sur la paroi arrière avec une brosse douce et non métallique ou un aspirateur. (Voir l'illustration.)
7. Après avoir nettoyé l'appareil, rebranchez-le à l'alimentation et retourner les tiroirs et les produits congelés à leur place.



### **Panne de courant :**

La plupart des pannes de courant sont corrigées en quelques heures et ne devraient pas affecter la température de votre congélateur si vous réduisez le nombre de fois que la porte est ouverte. Si l'alimentation va être hors service pendant une période de temps plus longue, vous devez prendre les mesures appropriées pour protéger vos produits congelés.

### **Vacances :**

Pendant de longues absences, supprimer tous les contenus du congélateur. Débranchez le congélateur, le nettoyer et laisser la porte ouverte légèrement pour éviter la formation possible de condensation, de moisissure ou des odeurs.

### **Déplacement de votre congélateur :**

1. Retirer le contenu du congélateur.
2. Solidement scotchez tous les éléments amovibles (par exemple, des tiroirs) à l'intérieur de votre unité.
3. Tournez les pieds de nivellement jusqu'à la base pour éviter les dommages.
4. Scotchez la porte fermée.
5. Soyez sûr le congélateur reste bloqué en position verticale pendant le transport.

### **Conseils d'économie d'énergie :**

- Le congélateur doit être situé dans le quartier le plus frais de la pièce, loin des appareils produisant de la chaleur ou des conduits de chauffage et des rayons directs du soleil.
- Essayez de ne pas ouvrir la porte trop souvent, surtout quand le temps est humide et chaud. Une fois que vous ouvrez la porte, fermez-la dès que possible.
- Vérifiez de temps en temps si l'appareil est suffisamment ventilé (circulation d'air suffisante derrière et devant de l'appareil).
- Réglez le thermostat des réglages hauts vers inférieurs dès que possible (dépend de la façon dont l'appareil est chargé, température ambiante, etc.).
- Avant de charger les articles dans l'appareil, assurez-vous qu'ils sont refroidis à la température ambiante.
- Une couche de givre et de glace augmente la consommation d'énergie, donc dégivrer l'appareil dès que la couche est de 1/8 "à 1/4" d'épaisseur.

## Dépannage

Lorsque vous utilisez le congélateur, vous pouvez rencontrer certains problèmes qui dans de nombreux cas peuvent résulter d'une mauvaise manipulation de l'appareil et peuvent être facilement éliminés.

### Guide de dépannage

*L'appareil ne fonctionne pas après avoir été connecté à la source d'alimentation.*

- Vérifiez si l'alimentation est active et que le thermostat (manuel) n'est pas en position d'arrêt (**stop**).

*La lumière rouge est allumée (thermostat manuel), ou l'unité ne refroidit pas correctement (thermostat numérique).*

- La porte a été ouverte fréquemment ou elle a été laissée ouverte trop longtemps.
- La porte est mal fermée (la porte peut s'affaisser; le joint peut être sale ou endommagé).
- L'alimentation électrique a été interrompue pendant une longue période de temps.
- L'appareil peut avoir été surchargé avec des articles dégelés.

*Le compresseur fonctionne continuellement.*

- Réglez le thermostat (manuel) de **super** sur un autre réglage.
- Augmenter le Set Point (*point de consigne*) sur le thermostat (numérique) légèrement.
- Il peut y avoir une ventilation inadéquate du compresseur et le condenseur. (Assurer une circulation d'air suffisante derrière l'appareil et essuyer la poussière du condenseur.) L'espace devant les bouches d'air avant doit être clair.

*La porte du congélateur est difficile à ouvrir.*

Si vous essayez d'ouvrir la porte après qu'il a récemment été fermée, vous la trouverez peut-être difficile à ouvrir. En effet, lorsque vous ouvrez la porte, l'air chaud pénètre dans l'appareil et quand il se refroidit, la pression intérieure plus basse scelle la porte.

La porte peut être ouverte plus facilement en appuyant légèrement le joint contre la porte et en tirant sur la porte.

Après 5 à 10 minutes, la porte peut être ouverte facilement.

### Bruit

Refroidissement dans les appareils de réfrigération est activé par le système de réfrigération avec compresseur, qui produit le bruit. Comment bruyant est l'appareil dépend de l'endroit où il est placé, comment il est utilisé et quel âge a l'appareil.

- Pendant le fonctionnement du compresseur, le bruit de liquide est écouté et lorsque le compresseur ne fonctionne pas, le flux de réfrigérant est écouté. Ceci est une condition normale et n'a aucune influence sur la durée de vie de l'appareil.
- Après le démarrage de l'appareil, le bruit du compresseur et du débit de réfrigérant peuvent être plus fort. Cela ne signifie pas qu'il y a un problème. Peu à peu, le bruit est réduit.

- Parfois un bruit plus fort se fait entendre, ce qui est inhabituel pour l'appareil. Ce bruit est souvent la conséquence d'un mauvais positionnement de l'unité. (Le congélateur doit être placé et nivelé fermement sur une base solide et il ne doit pas toucher le mur ou armoires debout à côté de lui.)

## Garantie limitée

### UN AN DE GARANTIE LIMITÉE

Dans les 48 États américains contigus, pendant un an à partir de la date d'achat, lorsque cet appareil est utilisé et entretenu conformément aux instructions jointes à, ou fournies avec le produit, le garant paiera pour les pièces spécifiées en usine et pour la main-d'œuvre pour corriger les vices de matériaux ou de fabrication. Le service doit être fourni par une compagnie de service désignée. En dehors des 48 États, toutes les pièces sont garanties pendant un an pour les défauts de fabrication. Les pièces en plastique, étagères et armoires sont garanties être fabriqués conformément aux normes acceptées dans le commerce et ne sont pas couvertes contre les dommages ou le bris pendant la manipulation.

### GARANTIE DU COMPRESSEUR DE 5 ANS

1. Le compresseur est couvert par la garantie pendant 5 ans.
2. Le remplacement n'inclut pas la main-d'œuvre.

#### *LE GARANT NE SERA PAS TENU DE PAYER POUR CES POINTS :*

1. Les appels de service pour rectifier l'installation de votre appareil, pour vous indiquer comment utiliser votre appareil, remplacer ou réparer des fusibles ou rectifier le câblage ou la plomberie.
2. Les appels de service pour réparer ou remplacer des ampoules ou des étagères cassées. Les pièces à usure (telles que des filtres) sont exclues de la couverture de la garantie.
3. Les dommages résultant d'un accident, modification, usage impropre ou abusif, incendie, inondation, actes de Dieu, mauvaise installation, une installation non conforme aux codes d'électricité ou de plomberie, ou l'utilisation de produits non approuvés par le garant.
4. Les pièces de rechange ou les frais de réparation pour les appareils utilisés hors des États-Unis.
5. Les réparations aux pièces ou systèmes résultant de modifications non autorisées apportées à l'appareil.
6. Les frais de déplacement et de transport pour le service produit dans des endroits éloignés.
7. Le retrait et la réinstallation de votre appareil s'il est installé dans un endroit inaccessible ou n'est pas installé conformément aux instructions d'installation.

### EXCLUSION DE GARANTIES IMPLICITES; LIMITATION DES RECOURS

LE SEUL ET UNIQUE RECOURS DU CLIENT EN VERTU DE CETTE GARANTIE LIMITÉE EST LA RÉPARATION DU PRODUIT TEL QUE PRÉCÉDEMMENT DÉCRIT. GARANTIE IMPLICITE, Y COMPRIS LES GARANTIES DE QUALITÉ MARCHANDE OU D'ADÉQUATION À UN USAGE PARTICULIER, SONT LIMITÉES À UN AN. LE GARANT NE SERA PAS RESPONSABLE DES DOMMAGES DIRECTS OU INDIRECTS. CERTAINS ÉTATS NE PERMETTENT PAS L'EXCLUSION OU LA LIMITATION DES DOMMAGES DIRECTS OU INDIRECTS, OU LA LIMITATION DE LA DURÉE DES GARANTIES DE QUALITÉ MARCHANDE OU D'ADAPTATION, DE SORTE QUE CES EXCLUSIONS OU LIMITATIONS PEUVENT NE PAS S'APPLIQUER À VOUS. CETTE GARANTIE VOUS DONNE DES DROITS SPÉCIFIQUES ET VOUS POUVEZ AUSSI AVOIR D'AUTRES DROITS POUVANT VARIER D'UN ÉTAT À L'AUTRE.

**ATTENTION!** Ce produit peut contenir des produits chimiques reconnus par l'État de la Californie pour causer le cancer ou des défauts de naissance et d'autres dangers pour la reproduction. Pour plus d'informations, visitez le site: [www.summitappliance.com/prop65](http://www.summitappliance.com/prop65)

Produits chimiques reconnus par le fabricant qui sont présents dans ce produit en concentrations supérieures aux limites permises: AUCUNS.

**FELIX STORCH, INC.**  
770 Garrison Avenue  
Bronx, NY 10474  
Téléphone: (718) 893-3900  
Télécopieur: (844) 478-8799  
[www.summitappliance.com](http://www.summitappliance.com)

**SUMMIT**  
C O M M E R C I A L

Pour les pièces et la commande des accessoires, le dépannage et des conseils de service, visitez le site :  
[www.summitappliance.com/support](http://www.summitappliance.com/support)