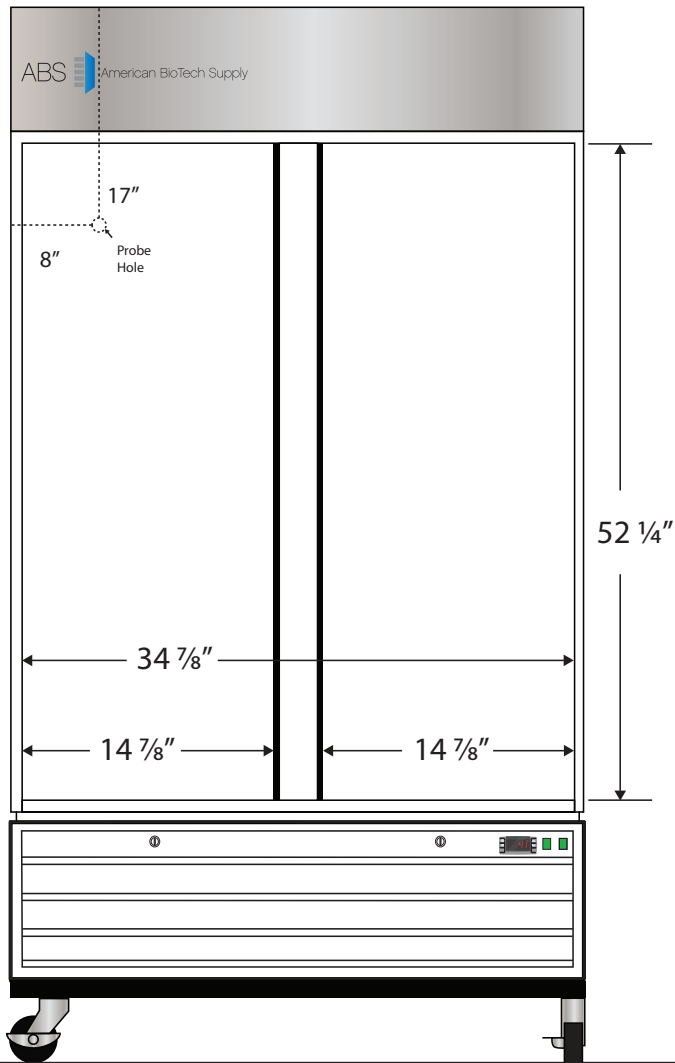
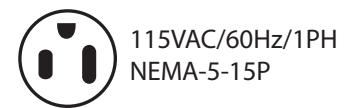
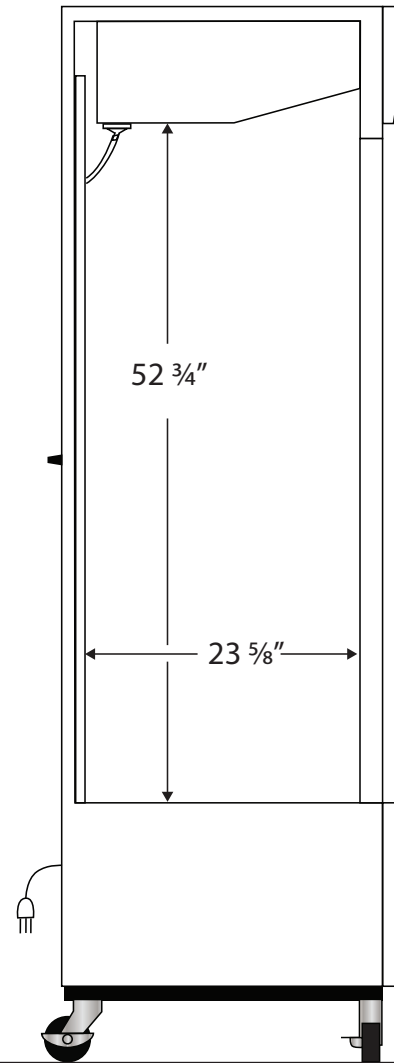


CUTSHEET

Front View



Side View



| Cu. Ft | Defrost | Door    | Int Door | Shelves | Interior Dim. |        |        | Refrigerant | H.P. | Amps | Weight   |
|--------|---------|---------|----------|---------|---------------|--------|--------|-------------|------|------|----------|
|        |         |         |          |         | W"            | D"     | H"     |             |      |      |          |
| 36     | Cycle   | 2 Glass | 0        | 8 Adj   | 34 7/8        | 23 5/8 | 52 3/4 | R290        | 1/4  | 4.5  | 355 lbs. |

Note: Interior dimensions are estimates and subject to change without notice