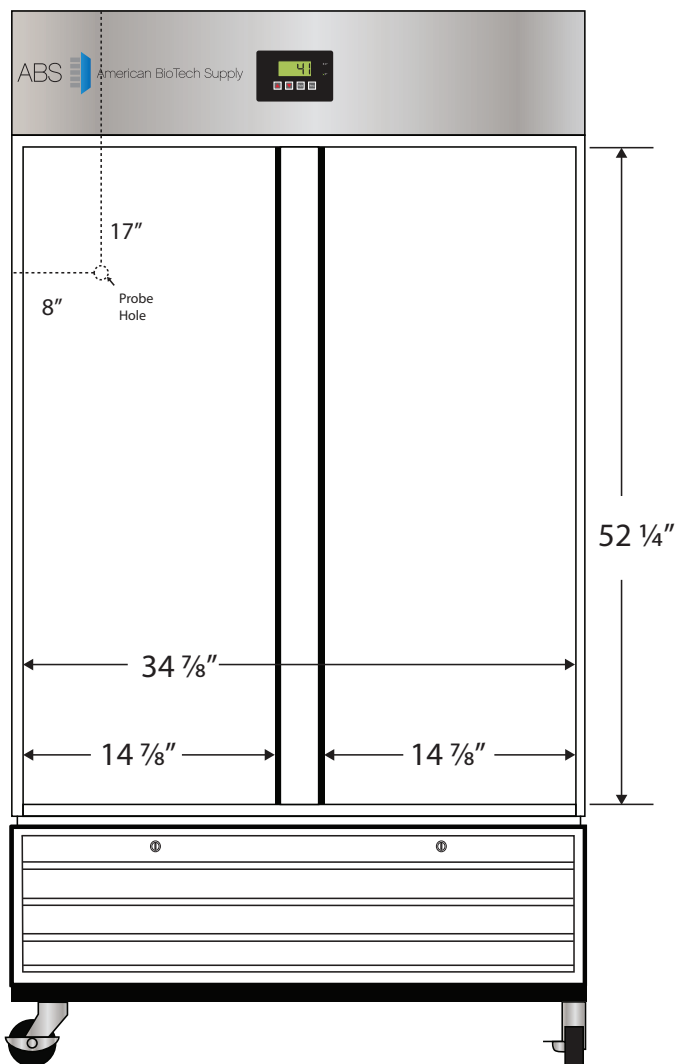
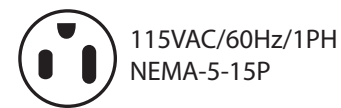
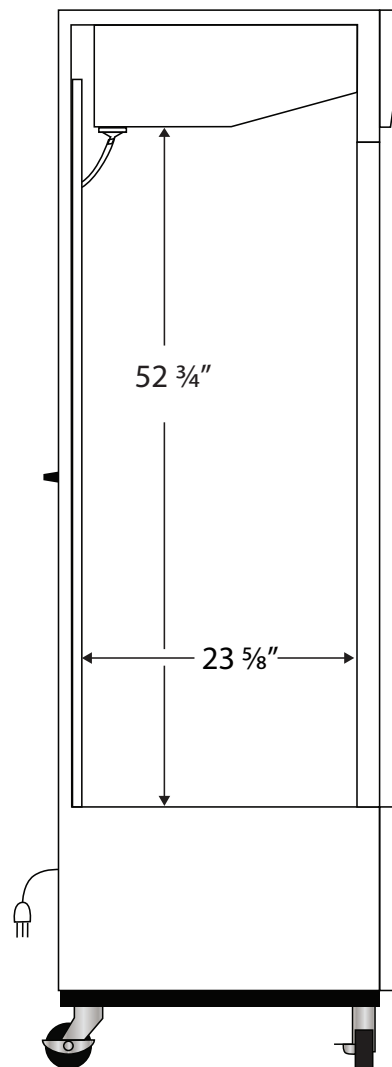


CUTSHEET

Front View



Side View



115VAC/60Hz/1PH  
NEMA-5-15P

Cu. Ft	Defrost	Door	Int Door	Shelves	Interior Dim.			Refrigerant	H.P.	Amps	Weight
					W"	D"	H"				
36	Cycle	2 Solid	0	12 Adj	34 7/8	23 5/8	52 3/4	R290	1/4	4.5	310 lbs.

Note: Interior dimensions are estimates and subject to change without notice