



Microwave Oven/ micro-ondes

INSTRUCTION MANUAL

Model/ Modèle:
MDR245SS

BEFORE USE, PLEASE READ AND FOLLOW ALL
SAFETY RULES AND OPERATING INSTRUCTIONS AS
SHOWN IN THIS MANUAL.

Write Serial Number here:

Felix Storch, Inc.
An ISO 9001:2015 registered
company
Summit Appliance Division
770 Garrison Avenue
Bronx, NY 10474
www.summitappliance.com

PRECAUTIONS TO AVOID POSSIBLE EXPOSURE TO EXCESSIVE MICROWAVE ENERGY

- (a) Do not attempt to operate this oven with the door open since an open-door operation can result in harmful exposure to microwave energy. It is important to not tamper with the safety interlocks.
- (b) Do not place any object between the oven front face and the door or allows soil or cleaner residue to accumulate on sealing surfaces.
- (c) Do not operate the oven if it is damaged. It is particularly important that the oven door close properly and that there is no damage to the:
 - (1) DOOR (bent)
 - (2) HINGES AND LATCHES (broken or loosened)
 - (3) DOOR SEALS AND SEALING SURFACES
- (d) The oven should not be adjusted or repaired by anyone except properly qualified service personnel.

Specifications

Model	MDR245SS
Rated Voltage	120V~ 60Hz
Microwave Input	1500W
Microwave Output	1000W

IMPORTANT SAFETY INSTRUCTIONS

When using electrical appliances basic safety precautions should be followed, including the following:

WARNING - To reduce the risk of burns, electric shock, fire, injury to persons, or exposure to excessive microwave energy:

- 1) Read all instructions before using the appliance.
- 2) Read and follow the specific instructions: " PRECAUTIONS TO AVOID POSSIBLE EXPOSURE TO EXCESSIVE MICROWAVE ENERGY" found on page 2.
- 3) This appliance must be grounded. Connect only to a properly grounded outlet. See " GROUNDING INSTRUCTIONS" found on page 4 for more information.
- 4) Install or locate this appliance only in accordance with the provided installation instructions.
- 5) Some products such as whole eggs and sealed containers - for example, closed glass jars - can explode and should not be heated in this oven.
- 6) Use this appliance only for its intended use as described in the manual. Do not use corrosive chemicals or vapors in this appliance. This type of oven is specifically designed to heat, cook, or dry food. It is not designed for industrial or laboratory use.
- 7) As with any appliance, close supervision is necessary when used around children.
- 8) Do not operate this appliance if it has a damaged cord or plug, if it is not working properly, or if it has been damaged or dropped.
- 9) This appliance should be serviced only by qualified service personnel. Contact the nearest authorized service facility for examination, repair, or adjustment.
- 10) Do not cover or block any openings on the appliance.
- 11) Do not store this appliance outdoors. Do not use this product near water - for example, near a kitchen sink, in a wet basement, near a swimming pool, or a similar location.
- 12) Do not immerse the cord or plug in water.
- 13) Keep the cord away from the heated surface.
- 14) Do not let the cord hang over the edge of the table or counter.
- 15) When cleaning surfaces of door and oven that comes together on closing the door, use only mild, nonabrasive soaps, or detergent applied with a sponge or soft cloth.
- 16) To reduce the risk of fire in the oven cavity:
 - a) Do not overcook food. Carefully attend to the appliance when paper, plastic, or other combustible materials are placed inside the oven to facilitate cooking.
 - b) Remove wire twist-ties from paper or plastic bags before placing the bag in the oven.
 - c) If material inside of the oven ignites, keep the oven door closed, the oven off, and disconnect the power cord or shut off power at the fuse or circuit breaker panel.
 - d) Do not use the cavity for storage purposes. Do not leave paper products, cooking utensils, or food in the cavity when not in use.
- 17) Liquids, such as water, coffee, or tea can be overheated beyond the boiling point without appearing to be boiling. Visible bubbling or boiling when the container is removed from the microwave oven is not always present.

THIS COULD RESULT IN VERY HOT LIQUID SUDDENLY BOILING OVER WHEN THE CONTAINER IS DISTURBED OR A UTENSIL IS INSERTED INTO THE LIQUID.

To reduce the risk of injury to persons:

Do not overheat the liquid.

Stir the liquid both before and halfway through heating it.

Do not use straight-sided containers with narrow necks.

After heating, allow the container to stand in the microwave oven for a short time before removing the container.

Use extreme care when inserting a spoon or other utensil into the container.

- 18) Do not operate any heating or cooking appliance beneath the appliance.
- 19) Do not mount the unit over or near any other heating appliance or cooking appliance.
- 20) Do not mount over a sink.
- 21) Do not store anything directly on top of the appliance surface when the appliance is in operation.

GROUNDING INSTRUCTIONS

This appliance must be grounded. In the event of an electrical short circuit, grounding reduces the risk of electric shock by providing an escape wire for the electric current. This appliance is equipped with a cord having a grounding wire with a grounding plug. The plug must be plugged into an outlet that is properly installed and grounded.

WARNING - Improper use of the grounding can result in a risk of electric shock.

Consult a qualified electrician or service personnel if the grounding instructions are not completely understood, or if doubt exists as to whether the appliance is properly grounded. If it is necessary to use an extension cord, use only a 3-wire extension cord that has a 3-blade grounded plug and 3-slot receptacle that will accept the plug on the appliance. The marked rating of the extension cord shall be equal to or greater than the electrical rating of the appliance.

DANGER - Electric Shock Hazard

Touching some of the internal components can cause serious personal injury or death. Do not disassemble this appliance.

WARNING - Electric Shock Hazard

Improper use of the grounding can result in electric shock. Do not plug into an outlet until the appliance is properly installed and grounded

A short power-supply cord is provided to reduce the risks of entangling or tripping over a longer cord. Longer cord sets or extension cords are available and may be used if care is exercised in their use.

If a long cord or extension cord is used:

- The marked electrical rating of the cord set, or extension cord should be at least as great as the electrical rating of the appliance.
- The extension cord must be a grounding-type 3-wire cord.
- The longer cord should be arranged so that it will not drape over the countertop or tabletop where it can be pulled on by children or tripped over unintentionally.

RADIO INTERFERENCE

1. Operation of the microwave oven may cause interference to your radio, TV, or similar equipment.
2. When there is interference, it may be reduced or eliminated by taking the following measures:
 - 1) Clean the door and the seal surface of the oven
 - 2) Reorient the receiving antenna of radio or television.
 - 3) Relocate the microwave oven with respect to the receiver.
 - 4) Move the microwave oven away from the receiver.

Plug the microwave oven into a different outlet so that the microwave oven and receiver are on different branch circuits.

UTENSILS

CAUTION - Personal Injury Hazard

Tightly closed utensils could explode. Closed containers should be opened, and plastic pouches should be pierced before cooking.

See the instructions on "Materials you can use in microwave oven or be avoided in a microwave oven."

There may be certain non-metallic utensils that are not safe to use for microwaving. If in doubt, you can test the utensil in question following the procedure below.

Utensil Test:

1. Fill a microwave-safe container with 1 cup of cold water (250ml) along with the utensil in question.
2. Cook on maximum power for 1 minute.
3. Carefully feel the utensil. If the empty utensil is warm, do not use it for microwave cooking.
4. Do not exceed 1 minute of cooking time.

Materials you can use in a microwave oven

Utensils	Notes
Browning dish	Follow manufacturer* instructions. The bottom of the browning dish must be at least 3/16 inch (5mm) above the turntable. Incorrect usage may cause the turntable to break.
Dinnerware	Microwave-safe only. Follow manufacturer's instructions. Do not use cracked or chipped dishes.
Glass jars	Always remove lid. Use only to heat food until just warm. Most glass jars are not heat resistant and may break.
Glassware	Heat-resistant oven glassware only. Make sure there is no metallic trim. Do not use cracked or chipped dishes.
Oven cooking bags	Follow manufacturer* instructions. Do not close with a metal tie. Make slits to allow steam to escape.
Paper plates and cups	Use for short-term cooking/warming only. Do not leave the oven unattended while cooking.
Paper towels	Use to cover food for reheating and absorbing fat. Use with supervision for short-term cooking only.
Parchment paper	Use as a cover to prevent splattering or a wrap for steaming.

Materials you can use in a microwave oven

Utensils	Notes
Plastic	Microwave-safe only. Follow the manufacturer* instructions. Should be labeled "Microwave Safe". Some plastic containers soften, as the food inside gets hot. "Boiling bags" and tightly closed plastic bags should be slit, pierced, or vented as directed by the package.
Plastic wrap	Microwave-safe only. Use to cover food during cooking to retain moisture. Do not allow plastic wrap to touch food.
Thermometers	Microwave-safe only (meat and candy thermometers).
Wax paper	Use as a cover to prevent splattering and retain moisture.

Materials to be avoided in a microwave oven

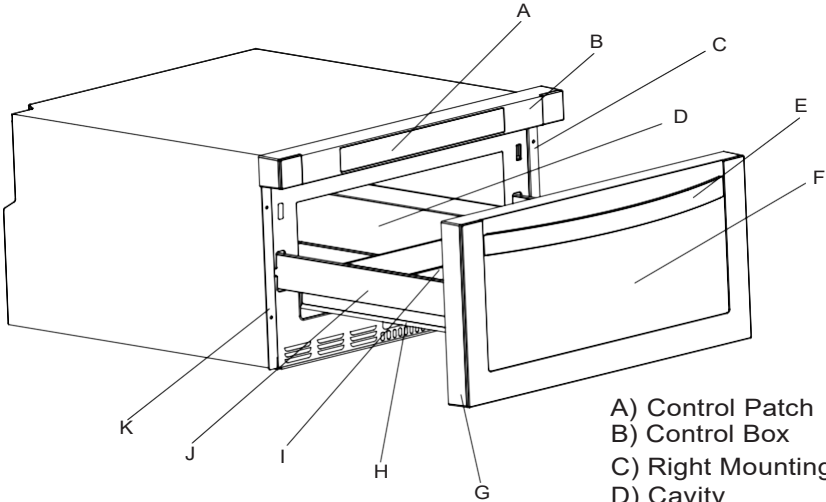
Utensils	Notes
Aluminum tray	May cause arcing. Transfer food into a microwave-safe dish.
Food carton with metal handle	May cause arcing. Transfer food into a microwave-safe dish.
Metal or metal-trimmed utensils	Metal shields the food from microwave energy. Metal trim may cause arcing.
Metal twist ties	May cause arcing and could cause a fire in the oven.
Paper bags	May cause a fire in the oven.
Plastic foam	The plastic foam may melt or contaminate the liquid inside when exposed to high temperatures.
Wood	Wood will dry out when used in the microwave oven and may split or crack.

SETTING UP YOUR OVEN

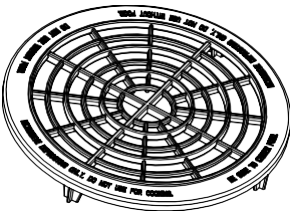
Names of Oven Parts and Accessories

Remove the oven and all materials from the carton and oven cavity.

Your oven comes with the following accessories:



- A) Control Patch
- B) Control Box
- C) Right Mounting Plate
- D) Cavity
- E) Handle
- F) Windows
- G) Door Frame
- H) Automatic putter
- I) Drawer
- J) Hinge Joint Board
- K) Left Mounting Plate



Defrosting Rack (Only be used in defrosting function and do not use for cooking. Do not use without food)

Drawer Installation

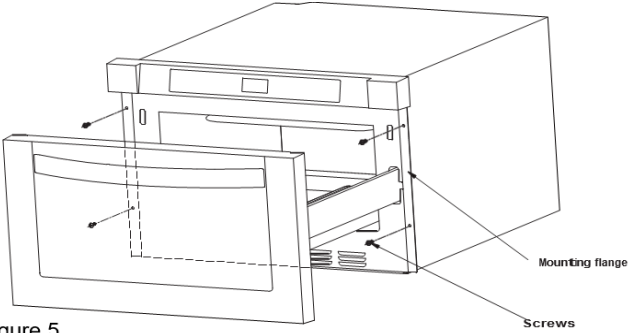
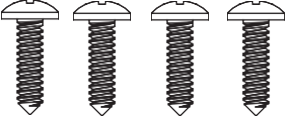


Figure 5

1. Place the drawer adjacent to the wall or cabinet opening. Plug the power supply cord into the electrical outlet.
2. Carefully guide the drawer into the prepared opening. Avoid pinching the cord between the oven and the wall.
3. Slide the drawer all the way until the mounting flange is flush with the face of the cabinet. See Figure 5.
4. Open the drawer. Using the 4 holes on the drawer as a template, predrill the cabinet using a 1/16" bit. See Figure 5.
5. Secure the drawer with the 4 screws supplied. See Figure 6.



4 Screws

Figure 6

Countertop Installation

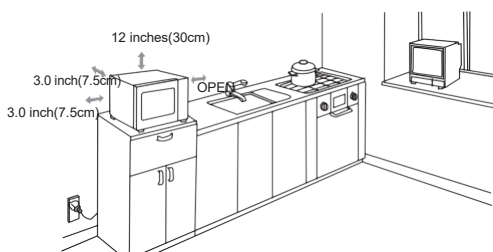
Remove all packing material and accessories. Examine the oven for any damage such as dents or broken door. Do not install if oven is damaged.

Cabinet: Remove any protective film found on the microwave oven cabinet surface.

Do not remove the light brown Mica cover that is attached to the oven cavity to protect the magnetron.

Installation

1. Select a level surface that provides enough open space for the intake and/or outlet vents.



A minimum clearance of 3 inches (7.5cm) is required between the oven and any adjacent walls. One side must be open.

- (1) Leave a minimum clearance of 12 inches (30cm) above the oven.
- (2) Do not remove the legs from the bottom of the oven.

- (3) Blocking the intake and/or outlet openings can damage the oven.
- (4) Place the oven as far away from radios and TV as possible. Operation of microwave oven may

cause interference to your radio or TV reception.

2. Plug your oven into a standard household outlet. Be sure the voltage and the frequency are the same as the voltage and the frequency on the rating label.

WARNING: Do not install the oven over a range cooktop or another heat-producing appliance. If installed near or over a heat source, the oven could be damaged, and the warranty would be void.

The accessible surface may be hot during operation.



Clearances and Dimensions

Dimensions that are shown in Figure 1 must be used. Given dimensions provide minimum clearance. Locate the electrical outlet in the shaded area in the upper left-hand corner of the cutout. See Figure 3.

Contact surface must be solid and level. Pay special attention to the floor on which the Microwave Drawer will sit. The floor of the opening should be constructed of plywood strong enough to support the weight of the oven (~100 pounds).

Check the location where the Microwave Drawer will be installed for proper electrical supply

Your oven can be built into a cabinet or wall by itself or under a gas or electric wall oven.

Be sure that the clearance of the floor between the wall oven and the microwave drawer is a minimum of 2-inches.

The microwave interior will easily accommodate a 9" x 13" oblong dish or a bag of microwave popcorn.

Microwave Drawer Measurements

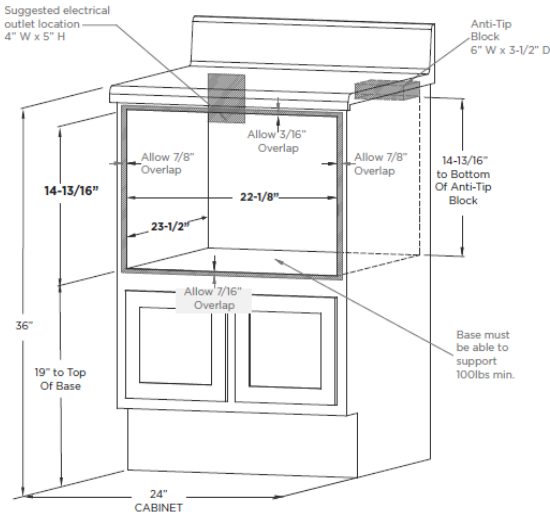


Figure 1

Figures 1 and 2 contain many Microwave Drawer measurements for reference when planning the drawer's location. This Microwave Drawer can be installed below any electric or gas wall oven.

*Can also be installed using an electrical outlet in an adjacent cabinet within the area where the provided electrical cord can reach. The power cord access hole in the cabinet should be a minimum of 1 1/2" in diameter and devoid of all sharp edges.

IMPORTANT Always allow sufficient power cord length to the electrical outlet to prevent tension. Always check electrical codes for requirements.

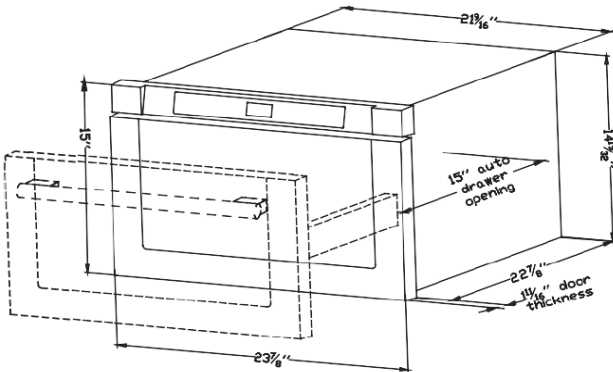


Figure 2

Anti-Tip Block

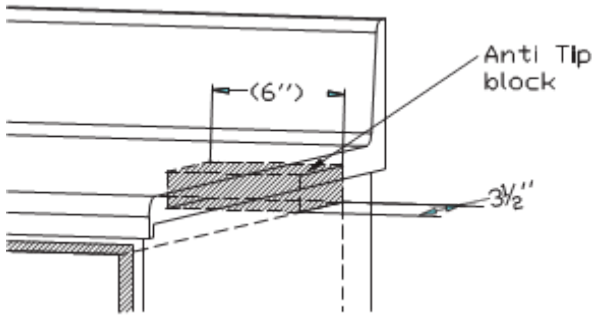


Figure 3

NORMAL INSTALLATION STEPS ANTI-TIP BLOCK INSTALLATION INSTRUCTIONS

To reduce the risk of tipping the drawer, the Anti-Tip block must be properly installed and located 13-16 inches above the floor on which the Microwave Drawer will sit. The 6-inch Anti-Tip block must be provided by the installer. See Figures 1 and 3. The Anti-Tip block prevents serious injury that might result from spilled hot liquids.

If the Microwave Drawer is ever moved to a different location, the Anti-Tip block must also be moved and installed, when installed on the wall make sure that the screws completely penetrate the drywall and are secured in wood or metal so that the block is stable. When fastening, be sure that the screws do not penetrate electrical wiring or plumbing.

Electrical Outlet

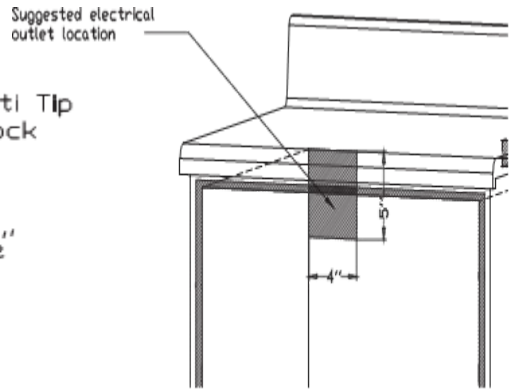


Figure 4

The electrical requirements are a 120-volt, 60Hz, AC only, 15 amp. or more protected electrical supply. It is recommended that a separate circuit serving only this appliance be provided.

The drawer is equipped with a 3-prong grounding plug, it must be plugged into a wall receptacle that is professionally installed and grounded. Should you only have a 2-prong outlet, and have a qualified electrician install a correct wall receptacle.

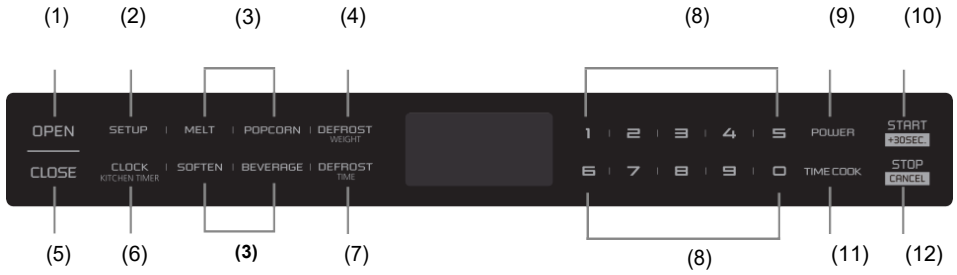
Note: If you have any questions about the grounding or electrical Instructions, consult a qualified electrician or service person.

*Can also be installed using an electrical outlet in an adjacent cabinet within the area where the provided electrical cord can reach.

Always check electrical codes for requirements.

OPERATION

Control Panel and Features



- (1) Open
- (2) Setup
- (3) Auto Menu
- (4) Weight Defrost
- (5) Close
- (6) Clock/Kitchen timer
- (7) Time Defrost
- (8) Number keys
- (9) Power
- (10) Start/ +30sec.
- (11) Time Cook
- (12) Stop/Cancel

OPERATION

1. Power On

- (1) When the microwave oven is plugged into an outlet, the buzzer sounds once. The screen will display "WELCOME". Then the oven will enter standby mode. The screen will display "00:00".
- (2) In standby mode, the screen will display the current time if the clock has been set. Otherwise, "00:00" will display.
- (3) Press the "OPEN" button to open the drawer, and the screen displays "OPEN". The screen will display "PLEASE CLOSE" when the drawer is fully opened.
Press the "CLOSE" button to close the drawer, and the screen displays "CLOSE". The screen will display the current time or "00:00" when the drawer is fully closed.
If there are mistakes to open or close the drawer, the buzzer will sound five times, and the screen will display "OPEN OR CLOSE".

2. Clock Setting

- (1) Press the "CLOCK/KITCHEN TIMER" button once. First, the hour will flash and the other "0" will light up.
- (2) Press the number buttons to enter the correct time. The input time should be between 01:00 and 12:59.
- (3) Press "CLOCK/KITCHEN TIMER" to finish the setting. ":" will flash.

Note: In the process of clock setting, if the "STOP/CANCEL" button is pressed or if there is no operation within 1 minute, the oven will go back to its former setting automatically.

3. Kitchen Timer

- (1) Press the "CLOCK/KITCHEN TIMER" button twice, Screen will display 00:00. "FUNCTION" will light.
- (2) Press the number buttons to enter the time. The maximum cooking time is 99 minutes and 99 seconds.
- (3) Press "START/+30SEC." to confirm the setting. The time begins to count down.
- (4) When the kitchen timer is done, the buzzer will ring 5 times. The oven will enter standby mode. The screen will display the current time if the clock has been set. Otherwise, Screen will display "00:00".

- Note:
- 1) The kitchen timer is different from the 12-hour system. The kitchen timer is a timer.
 - 2) In the process of Kitchen Timer operation, any cooking program cannot be operated.
 - 3) "STOP/CANCEL" can be pressed to cancel the Kitchen Timer.

4. Microwave Cooking Function

11 power levels are available.

Level	10	9	8	7	6	5	4	3	2	1	0
Power	100%	90%	80%	70%	60%	50%	40%	30%	20%	10%	0%
Display	PL100	PL90	PL80	PL70	PL60	PL50	PL40	PL30	PL20	PL10	PL00

- (1) Press "TIME COOK" button, Screen will display "00:00". "FUNCTION" will light. Press number buttons to input the cooking time. The maximum cooking time is 99 minutes 99 seconds.
- (2) Press the "POWER" button to set the power. The default power level is "PL100". Press number buttons to select different power levels.
- (3) Press "START/+30SEC." to start cooking. The buzzer will sound once. The cooking time begins to count down. When cooking is finished, the buzzer will sound five times, and "FINISH" displays.

Note: If the "STOP/CANCEL" button is pressed or if there is no operation within 1 minute, the oven will go back to the former setting automatically.

5. Fast Cooking

- (1) In standby mode, instant cooking at 100% power level with 30 seconds' cooking time can be started by pressing "START/+30SEC". Each press on the same button will increase cooking time by 30 seconds.
- (2) During microwaving and defrost by time, "START/+30SEC." can be pressed to increase cooking time. Each press will increase by 30 seconds.

Note: "START/+30SEC." cannot be pressed to increase cooking time for defrost by weight and Auto menu cooking.

6. Weight Defrost Function


- (1) Press the "DEFROST WEIGHT" button. The screen will display "WEIGHT DEFROST". And "FUNCTION" will light.
- (2) Press number buttons to input the weight to be defrosted. The input weight should be between 0.1-6.0 lbs.
- (3) Press "START/+30SEC." to start defrosting. The buzzer will sound once. The defrosting time begins to count down. When cooking is finished, the buzzer will sound five times, and "FINISH" displays.

7. Time Defrost Function

- (1) Press the "DEFROST TIME" button. Screen displays "TIME DEFROST". And "FUNCTION" will light.
- (2) Press number buttons to enter the defrosting time between 00:01-99:99.
- (3) Press "START/+30SEC." to start defrosting. The buzzer will sound once. The defrosting time begins to count down. When cooking is finished, the buzzer will sound five times, and "FINISH" displays.

Note: The defrosting power level is PL30.

8. Auto Menu--Beverage

- (1) Press the "BEVERAGE" button. The screen will display "1". "AUTO MENU" and " indicators will light.
- (2) Continue to press the "BEVERAGE" button, "1" or "2" will display in order.
- (3) Press "START/+30SEC." to start cooking. The buzzer will sound once. The cooking time begins to count down. When cooking is finished, the buzzer will sound five times, and "FINISH" displays.

9. Auto Menu--Popcorn

- (1) Press the "POPCORN" button. Screen displays "1.75". "AUTO MENU" and "OZ" indicators will light.
- (2) Continue to press "POPCORN" button, "1.75", "3" or "3.5" will display in order.
- (3) Press "START/+30SEC." to start cooking. The buzzer will sound once. "OZ" will go out. The cooking time begins to count down. When cooking is finished, the buzzer will sound five times, and "FINISH" displays.

10. Auto Menu--Melt

- (1) Press the "MELT" button. Screen displays "BUTTER". "AUTO MENU" indicator will light.
- (2) Continue to press the "MELT" button, "BUTTER", "CHOCOLA", "CHEESE" or "MARSHMA" will display in order.
- (3) Press "START/+30SEC." to confirm the selection.
- (4) Press the "MELT" button to select the weight. "OZ" will light except for the butter menu.
- (5) Press "START/+30SEC." to start cooking. The buzzer will sound once. "OZ" will go out. The cooking time begins to count down. When cooking is finished, the buzzer will sound five times, and "FINISH" displays.

Menu	Display	Weight
Butter/Margarine	BUTTER	1(STICH)
		2(STICHS)
		3(STICHS)
Chocolate	CHOCOLA	4
		8
Cheese	CHEESE	8
		16
Marshmallows	MARSHMA	5
		10

11. Auto Menu--Soften

- (1) Press the "SOFTEN" button. Screen displays "BUTTER". "AUTO MENU" indicator will light.
- (2) Continue to press the "SOFTEN" button, "BUTTER", "ICE-CRE" or "CHEESE" will display in order.
- (3) Press "START/+30SEC." to confirm the selection.
- (4) Press the "SOFTEN" button to select the weight. "OZ" will light except for the butter menu.
- (5) Press "START/+30SEC." to start cooking. The buzzer will sound once. "OZ" will go out. The cooking time begins to count down. When cooking is finished, the buzzer will sound five times, and "FINISH" displays.

Menu	Display	Weight
Butter	BUTTER	1(STICH)
		2(STICHS)
		3(STICHS)
Ice cream/ Frozen juice	ICE-CRE	8
		16
		32
Cream Cheese	CHEESE	3
		8

12. Buzzer On/Off

- (1) Press the "SETUP" button. Screen displays "BUZ OFF".
- (2) Press the "START/+30SEC." button. The oven will enter standby mode. The buzzer is turned off. No beep will sound.
- (3) Press the "SETUP" button. Screen displays "BUZ ON".
- (4) Press the "START/+30SEC." button. The oven will enter standby mode. The buzzer is turned on. The buzzer will sound normally.

13. LOCK FUNCTION FOR CHILDREN

Lock: In standby mode, press "STOP/CANCEL" for 3 seconds, and the oven will enter the children-lock state. The screen will display the current time if the clock has been set. Otherwise, "00:00" will display.

Lock quitting: In a locked state, press "STOP/CANCEL" for 3 seconds to release the lock.

14. INQUIRING FUNCTION

- (1) In the cooking state, press the "CLOCK/KITCHEN TIMER" button to check the clock. The current time will display for 3 seconds.
- (2) In the microwave cooking state, press the "POWER" button to inquire about the microwave power. The current microwave power will display for 3 seconds.

15. OTHER SPECIFICATIONS

- (1) In the cooking state, "OPEN" cannot be pressed to open the drawer unless the "STOP/CANCEL" button is pressed to pause the cooking. Press the "CLOSE" button to close the drawer. Then "START/+30SEC." button must be pressed to continue cooking.
- (2) If the cooking program has been set, "START/+30SEC." is not pressed in 1 minute, The current time will be displayed. The setting will be canceled.
- (3) If the oven door is open, the lamp will light until the oven is powered off.

MAINTENANCE

Troubleshooting

Check your problem by using the chart below and try the solutions for each problem. If the microwave oven still does not work properly, contact the nearest authorized service center.

TROUBLE	POSSIBLE CAUSE	POSSIBLE REMEDY
The oven will not start	<ul style="list-style-type: none"> a. Electrical cord for the oven is not plugged in. b. Door is open. c. The Wrong operation is set. 	<ul style="list-style-type: none"> a. Plug into the outlet. b. Close the door and try again. c. Check instructions.
Arcing or sparking	<ul style="list-style-type: none"> a. Materials to be avoided in microwave oven were used. b. The oven is operated when empty. c. Spilled food remains in the cavity. 	<ul style="list-style-type: none"> a. Use microwave-safe cookware only. b. Do not operate with oven empty. c. Clean cavity with wet towel.
Unevenly cooked foods	<ul style="list-style-type: none"> a. Materials to be avoided in microwave oven were used. b. Food is not defrosted completely. c. Cooking time, power level is not suitable. d. Food is not turned or stirred. 	<ul style="list-style-type: none"> a. Use microwave-safe cookware only. b. Completely defrost food. c. Use correct cooking time, power level. d. Turn or stir food.
Overcooked foods	Cooking time, power level is not suitable.	Use correct cooking time, power level.
Undercooked foods	<ul style="list-style-type: none"> a. Materials to be avoided in microwave oven were used. b. Food is not defrosted completely. c. Oven ventilation ports are restricted. d. Cooking time, power level is not suitable. 	<ul style="list-style-type: none"> a. Use microwave-safe cookware only. b. Completely defrost food. c. Check to see that oven ventilation ports are not restricted. d. Use correct cooking time, power level.
Improper defrosting	<ul style="list-style-type: none"> a. Materials to be avoided in microwave oven were used. b. Cooking time, power level is not suitable. c. Food is not turned or stirred. 	<ul style="list-style-type: none"> a. Use microwave-safe cookware only. b. Use correct cooking time, power level. c. Turn or stir food.

NOTES

LIMITED WARRANTY

ONE YEAR LIMITED WARRANTY

Within the 48 contiguous United States, for one year from the date of purchase, when this appliance is operated and maintained according to instructions attached to or furnished with the product, warrantor will pay for factory-specified parts and repair labor to correct defects in materials or workmanship. Service must be provided by a designated service company. Outside the 48 states, all parts are warranted for one year from manufacturing defects. Plastic parts, shelves and cabinets are warranted to be manufactured to commercially acceptable standards and are not covered from damage during handling or breakage.

ITEMS WARRANTOR WILL NOT PAY FOR:

1. Service calls to correct the installation of your appliance, to instruct you how to use your appliance, to replace or repair fuses or to correct wiring or plumbing.
2. Service calls to repair or replace appliance light bulbs or broken shelves. Consumable parts (such as filters) are excluded from warranty coverage.
3. Damage resulting from accident, alteration, misuse, abuse, fire, flood, acts of God, improper installation, installation not in accordance with electrical or plumbing codes, or use of products not approved by warrantor.
4. Replacement parts or repair labor costs for units operated outside the United States.
5. Repairs to parts or systems resulting from unauthorized modifications made to the appliance.
6. The removal and reinstallation of your appliance if it is installed in an inaccessible location or is not installed in accordance with published installation instructions.

DISCLAIMER OF IMPLIED WARRANTIES; LIMITATION OF REMEDIES

CUSTOMER'S SOLE AND EXCLUSIVE REMEDY UNDER THIS LIMITED WARRANTY SHALL BE PRODUCT REPAIR AS PROVIDED HEREIN. IMPLIED WARRANTIES, INCLUDING WARRANTIES OF MERCHANTABILITY OR FITNESS FOR A PARTICULAR PURPOSE, ARE LIMITED TO ONE YEAR. WARRANTOR SHALL NOT BE LIABLE FOR INCIDENTAL OR CONSEQUENTIAL DAMAGES. SOME STATES DO NOT ALLOW THE EXCLUSION OR LIMITATION OF INCIDENTAL OR CONSEQUENTIAL DAMAGES, OR LIMITATIONS ON THE DURATION OF IMPLIED WARRANTIES OF MERCHANTABILITY OR FITNESS, SO THESE EXCLUSIONS OR LIMITATIONS MAY NOT APPLY TO YOU. THIS WARRANTY GIVES YOU SPECIFIC LEGAL RIGHTS AND YOU MAY ALSO HAVE OTHER RIGHTS, WHICH VARY FROM STATE TO STATE.



WARNING: This product can expose you to chemicals including Nickel (Metallic) which is known to the State of California to cause cancer.

For more information go to www.P65Warnings.ca.gov

Note: Nickel is a component in all stainless steel and some other metallic compositions.

Summit Appliance
Division of Felix Storch, Inc.
An ISO 9001:2015 registered company
770 Garrison Avenue
Bronx, NY 10474
www.summitappliance.com

SUMMIT
APPLIANCE

For parts and accessory ordering,
troubleshooting, and helpful hints,
visit:
www.summitappliance.com/support

PRÉCAUTIONS POUR ÉVITER L'EXPOSITION POSSIBLE À L'ÉNERGIE MICROONDE EXCESSIVE

- (a) N'essayez pas de faire fonctionner ce four avec la porte ouverte, car cela peut entraîner une exposition nocive à l'énergie des micro-ondes.
Il est important de ne pas annuler ou altérer les dispositifs de verrouillage de sécurité.
- (b) Ne pas placer un objet entre la face avant et la porte, ou laisser de la saleté ou des résidus de nettoyage s'accumuler sur les surfaces du joint.
- (c) N'utilisez pas le four s'il est endommagé. Il est particulièrement important que la porte du four se ferme correctement et qu'il n'y ait aucun dommage aux:
- (1) PORTE (courbée)
 - (2) CHARNIÈRES ET LOQUETS (cassés ou desserrés)
 - (3) JOINTS DE PORTE ET SURFACE D'ÉTANCHÉITÉ
- (d) Le four ne doit pas être réglé ou réparé par quelqu'un qui n'est pas un personnel de dépannage qualifié.

Caractéristiques

Modèle :	MDR245SS
Tension Nominale :	120V~ 60Hz
Puissance Nominale d'Entrée (micro-ondes) :	1500W
Puissance Nominale de Sortie (micro-ondes) :	1000W

CONSIGNES DE SÉCURITÉ IMPORTANTES

Lors de l'utilisation d'appareils électriques, des précautions de sécurité de base doivent être respectées, notamment les suivantes :

ATTENTION — Pour réduire les risques de brûlures, d'électrocution, d'incendie, de blessures ou d'exposition à une énergie microonde excessive :

1. Lisez toutes les instructions avant d'utiliser l'appareil.
2. Lisez et suivez les spécificités : "PRÉCAUTIONS POUR ÉVITER L'EXPOSITION POSSIBLE À L'ÉNERGIE MICROONDE EXCESSIVE" à la page 3.
3. Cet appareil doit être mis à la terre. Branchez l'appareil uniquement à une prise correctement mise à la terre. Voir "INSTRUCTIONS DE MISE À LA TERRE" à la page 5.
4. Installez ou placez ce four uniquement conformément aux instructions d'installation fournies.
5. Certains produits tels que les œufs entiers et les récipients scellés — par exemple bocaux en verre fermés — peuvent exploser et ne doivent pas être chauffés dans un four à micro-ondes.
6. N'utilisez cet appareil que pour les utilisations prévues décrites dans ce manuel. N'utilisez pas de produits chimiques ou de vapeurs corrosifs dans cet appareil. Ce four à microondes est spécialement conçu pour chauffer, cuire ou sécher des aliments. Il n'est pas conçu pour une utilisation industrielle ou en laboratoire.
7. Comme pour tout appareil, une surveillance étroite est nécessaire lorsqu'il est utilisé par des enfants.
8. N'utilisez pas ce four si le cordon ou la fiche est endommagé, s'il ne fonctionne pas correctement, s'il est endommagé ou s'il est tombé.
9. Cet appareil ne doit être entretenu que par du personnel qualifié. Contactez le centre de service agréé le plus proche pour examen, réparation ou réglage.
10. Ne couvrez ni ne bloquez les ouvertures de l'appareil.
11. Ne rangez pas cet appareil à l'extérieur. N'utilisez pas ce four près de l'eau, par exemple près d'un évier de cuisine, dans un sous-sol humide, près d'une piscine ou dans des endroits similaires.
12. N'immergez pas le cordon ou la fiche dans l'eau.
13. Gardez le cordon éloigné des surfaces chaudes.
14. Ne laissez pas le cordon pendre du bord d'une table de travail ou d'un comptoir.
15. Lors du nettoyage des surfaces de la porte et du four qui advient en même temps à la fermeture de la porte, utilisez uniquement des savons ou détergents doux non abrasifs appliqués avec une éponge ou un chiffon doux.
16. Pour réduire le risque d'incendie dans la cavité du four :
 - 1). Ne faites pas trop cuire les aliments. Surveillez attentivement l'appareil si vous avez placé un objet en papier, plastique ou autre matériau combustible dans la cavité pour faciliter la cuisson.
 - 2). Retirez les attaches métalliques des sacs en papier ou en plastique avant de les placer dans le four à microondes.
 - 3). Si des matériaux à l'intérieur du four à microondes s'enflamment, gardez la porte fermée, éteignez le four et débranchez le cordon d'alimentation ou coupez l'alimentation au niveau du fusible ou du panneau de disjoncteur.

- 4). N'utilisez pas la cavité à des fins de rangement. Ne laissez pas de produits en papier, d'ustensiles de cuisine ou de nourriture dans la cavité lorsqu'elle n'est pas utilisée.
17. Les liquides, tels que l'eau, du café ou du thé, peuvent surchauffer au-delà du point d'ébullition sans avoir l'air de bouillir. Un bouillonnement ou une ébullition visible lorsque le récipient est retiré du four à microondes n'apparaît pas toujours.
CELA POURRAIT EN RÉsulTER DES LIQUIDES TRÈS CHAUDS QUI DEVIENNENT SOUDAINEMENT EN ÉBULLITION LORSQUE LE RÉCIPIENT EST PERTURBÉ OU UN USTENSILE EST INSÉRÉ DANS LE LIQUIDE.
Pour réduire le risque de blessures aux personnes :
 - 1) Ne surchauffez pas le liquide.
 - 2) Remuez le liquide avant et à mi-cuisson.
 - 3) N'utilisez pas de récipients à parois droites à col étroit.
 - 4) Après chauffage, laissez le récipient reposer dans le four à micro-ondes pendant un court instant avant de retirer le récipient
 - 5) Soyez extrêmement prudent lorsque vous insérez une cuillère ou un autre ustensile dans le récipient.
18. N'utilisez aucun appareil de chauffage ou de cuisson sous l'appareil.
19. Ne montez pas l'appareil sur ou à proximité d'une partie de l'appareil de chauffage ou de cuisson.
20. Ne le montez pas au-dessus d'un évier.
21. Ne mettez aucun objet directement sur la surface de l'appareil lorsqu'il est en marche.

CONSERVER CES INSTRUCTIONS

INSTRUCTIONS DE MISE À LA TERRE

Cet appareil doit être mis à la terre. En cas de court-circuit, la mise à la terre réduit le risque d'électrocution en fournissant un fil d'échappement pour le courant électrique. Cet appareil est équipé avec un fil électrique ayant un conducteur et une prise de terre. La fiche doit être branchée dans une prise correctement installée et mise à la terre.

ATTENTION — Une mauvaise utilisation de la mise à la terre peut entraîner un risque d'électrocution.

Consulter un électricien qualifié ou un réparateur si les instructions de mise à la terre ne sont pas parfaitement comprises ou si un doute existe sur la bonne mise à la terre de l'appareil. S'il est nécessaire d'utiliser une rallonge, utilisez uniquement une rallonge à 3 fils dotée d'une fiche de mise à la terre à 3 broches et des prises à 3 positions qui acceptent la fiche de l'appareil. La puissance nominale de la rallonge doit être égale ou supérieure à la puissance électrique de l'appareil.

DANGER — Risque de décharge électrique

Toucher des composants internes peut causer de graves blessures corporelles ou le décès. Ne pas démonter cet appareil.

ATTENTION — Risque de décharge électrique

La mauvaise utilisation de la terre peut entraîner une électrocution. Ne pas brancher l'appareil à une prise de courant tant qu'il n'est pas installé correctement et mis à la terre.

1. Le fil d'alimentation est court pour réduire le risque de le coincer ou de trébucher dessus s'il est plus long.
2. Des jeux de cordons plus longs ou des rallonges sont disponibles et peuvent être utilisés si un soin particulier est apporté à leur utilisation.
3. Si vous utilisez un long cordon ou une rallonge :
 - 1) La capacité électrique du fil ou de la rallonge doit être au moins aussi grande que la capacité de l'appareil.
 - 2) La rallonge doit être à 3 fils avec une mise à la terre.
 - 3) Un long fil d'alimentation doit être mis de façon à ne pas dépasser du comptoir ou de la table d'où il peut être tiré par des enfants ou faire trébucher.

INTERFÉRENCE RADIO

1. Le fonctionnement du four à microondes peut provoquer des interférences avec votre radio, télévision ou équipement similaire.
2. Lorsqu'il y a des interférences, elles peuvent être réduites ou éliminées en prenant les mesures suivantes :
 - 1) Nettoyez la porte et les surfaces d'étanchéité du four
 - 2) Réorientez l'antenne de réception de la radio ou du téléviseur.
 - 3) Déplacez le four à microondes par rapport au récepteur.
 - 4) Éloignez le four à microondes du récepteur.

Branchez le four à microondes dans une autre prise de sorte qu'il se trouve avec le récepteur sur des circuits de dérivation différents.

USTENSILES

ATTENTION — Risque de blessure corporelle

Les ustensiles hermétiquement fermés peuvent exploser. Les récipients fermés doivent être ouverts et les sachets en plastique doivent être percés avant la cuisson.

Voir les instructions dans "Matériaux que vous pouvez utiliser dans un four à micro-ondes".

Certains ustensiles non métalliques ne sont pas sûrs pour être utilisés pour le micro-onde. En cas de doute, vous pouvez tester l'ustensile en question en procédant de la façon suivante.

Test d'ustensile :

- 1) Remplir un conteneur à micro-onde avec 250 ml d'eau froide et y déposer l'ustensile.
- 2) Chauffer à puissance max. pendant 1 minute.
- 3) Toucher doucement l'ustensile. Si l'ustensile vide est chaud, ne pas l'utiliser pour la cuisson au micro-onde.
- 4) Ne pas dépasser 1 minute.

Matériaux que vous pouvez utiliser dans un four à micro-ondes

Ustensiles	Remarques
Plat à rôtir	Suivez les instructions du fabricant *. Le fond du plat doit être à au moins 5 mm du plateau. Un mauvais usage peut briser le plateau.
Vaisselle	Allant au four à micro-ondes uniquement. Suivre les instructions du fabricant. Ne pas utiliser des plats fendus ou ébréchés.
Pots en verre	Toujours retirer le couvercle. Utiliser l'appareil uniquement pour réchauffer les aliments jusqu'à ce qu'ils soient chauds. La plupart des pots en verre ne résistent pas à la chaleur et peuvent casser.
Verrerie	Uniquement le verre résistant à la chaleur. S'assurer qu'il n'y a pas de garniture métallique. Ne pas utiliser des plats fendus ou ébréchés.
Sacs de cuisson au four	Suivez les instructions du fabricant *. Ne pas fermer avec un couvercle métallique. Fendre l'emballage pour permettre à la vapeur de s'échapper.
Assiettes et tasses en papier	N'utiliser que pour la cuisson ou réchauffage court. Ne pas laisser la cuisson sans surveillance.
Serviettes en papier	Utiliser pour couvrir les aliments à réchauffer et absorber le gras. N'utiliser que pour la cuisson courte.
Papier parchemin	Utiliser comme couvercle pour éviter les éclaboussures ou envelopper pour cuire à la vapeur.
Plastique	Allant au four à micro-ondes uniquement. Suivez les instructions du fabricant *. Doit être estampillé "Sûr pour le micro-onde". Certains conteneurs en plastique s'amollissent quand les aliments deviennent chauds. Les sacs à bouillir et les sacs en plastique fermés doivent être fendus, percés ou ventilés comme indiqué sur l'emballage.

Ustensiles	Remarques
Enveloppe en plastique	Allant au four à micro-ondes uniquement. Utiliser pour couvrir les aliments pendant la cuisson pour retenir l'humidité. Ne pas laisser l'enveloppe en plastique toucher les aliments.
Thermomètres	Sûr pour le micro-onde uniquement (thermomètres à viande ou gâteau).
Papier ciré	Utiliser comme couvercle pour éviter les éclaboussures ou retenir l'humidité.

Matériaux à éviter dans le four à micro-ondes

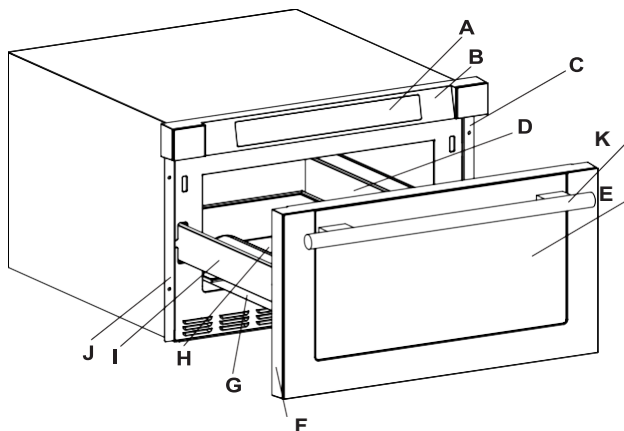
Ustensiles	Remarques
Plateau en aluminium	Peut provoquer un arc. Mettre les aliments dans un conteneur prévu pour micro-ondes.
Carton alimentaire avec poignée métallique	Peut provoquer un arc. Mettre les aliments dans un conteneur prévu pour micro-ondes.
Ustensiles métalliques ou recouverts de métal	Le métal bloque les micro-ondes sur les aliments. Une garniture métallique peut provoquer un arc.
Liens métalliques	Peuvent provoquer un arc et entraîner un incendie dans le four.
Sacs en papier	Peuvent prendre feu dans le four.
Mousse en plastique	La mousse en plastique peut fondre ou contaminer le liquide contenu en l'exposant à de hautes températures.
Bois	Le bois sèche quand il est utilisé dans le micro-onde et peut se fendre ou craquer.

INSTALLATION DE VOTRE FOUR

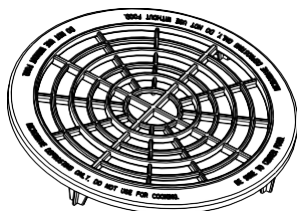
Noms des pièces et accessoires du four

Retirer le four et tous les matériaux du carton et dans le four.

Votre four est fourni avec les accessoires suivants:

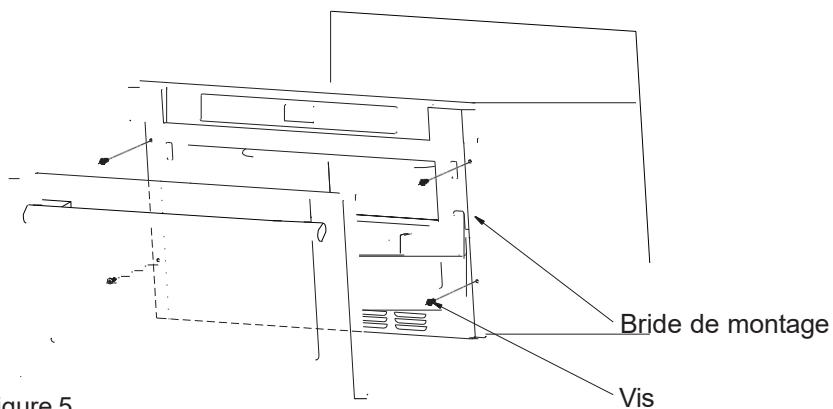


- A) **Panneau de contrôle**
- B) **Boîtier de commande**
- C) **Plaque de montage de droite**
- D) **Cavité**
- E) **Fenêtres**
- F) **Cadre de porte**
- G) **Fermeture en douceur automatique**
- H) **Tiroir**
- I) **Plaque de charnière articulée**
- J) **Plaque de montage de gauche**
- K) **Poigné**

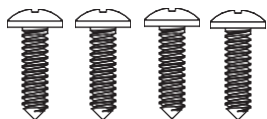


Grille de décongélation (à utiliser uniquement avec la fonction de décongélation, ne pas utiliser pour la cuisson. Ne pas utiliser sans aliments).

INSTALLATION DU TIROIR À MICRO-ONDES



1. Placez le tiroir à micro-ondes près du mur ou de l'ouverture de l'armoire. Branchez le cordon d'alimentation à une prise électrique.
2. Accompagnez avec soin le four à tiroir dans l'ouverture que vous avez préparé. Évitez d'écraser le cordon entre le four et la paroi.
3. Faites glisser entièrement le four à tiroir dans l'ouverture jusqu'à ce que la bride de montage soit au même niveau que la face de l'armoire. Voir la Figure 5.
4. Ouvrez le tiroir. En utilisant comme gabarit les 4 trous du tiroir, percez au préalable l'armoire à l'aide d'un forêt de 1,5 mm. Voir la Figure 5.
5. Fixez le four à tiroir à l'aide des 4 vis fournies. Voir la Figure 6.



4 vis
Figure 6

Installation sur comptoir

Retirer tout le matériel d'emballage et les accessoires.

Examiner le four pour les dommages tels que la porte ébréchée ou cassée. **NE PAS** installer le four s'il est endommagé.

Installation sur comptoir

Retirer tout le matériel d'emballage et les accessoires.

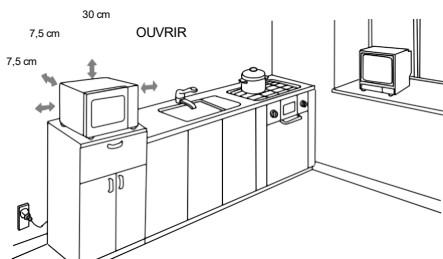
Examiner le four pour les dommages tels que la porte ébréchée ou cassée. **NE PAS** installer le four s'il est endommagé.

Armoire : Retirer le film de protection du four à microondes qui est fixé à la cavité du four pour protéger le magnétron.

Armoire : Retirer le film de protection du four à microondes
Ne pas retirer le mica marron qui est fixé à la cavité du four pour protéger le magnétron.

Installation

1. Sélectionner une surface de niveau ayant assez d'espace pour les événements d'entrée ou de sortie.



Vous devez laisser un espace minimal d'environ 7,5 cm entre le four et toute paroi adjacente. Un côté doit être libre.

- (1) Laissez un espace minimal d'environ 30 cm au-dessus du four.

- (2) Le blocage des ouvertures d'entrée ou de sortie peut endommager le four.
- (3) Placer le four aussi loin que possible des radios et télévisions. Les opérations du four à microondes peuvent interférer avec la réception de radio ou télévision.
2. Brancher le four dans une prise de courant standard. S'assurer que la tension et la fréquence sont les mêmes que celles sur la plaque signalétique.

ATTENTION : Ne pas mettre le four au-dessus de cuiseurs ou autre appareil produisant de la chaleur. S'il est installé à proximité ou au-dessus d'une source de chaleur, le four pourrait être endommagé et la garantie annulée.

La surface accessible peut être chaude pendant les opérations.



DIMENSIONS ET ESPACEMENTS

- Utilisez les dimensions illustrées à la figure 1. Les dimensions indiquées fournissent l'espacement minimal. Repérez la prise électrique dans la zone hachurée et dans le coin supérieur gauche de la découpe. Voir la Figure 3.
- La surface de contact doit être solide et plane. Prêtez une attention particulière au sol sur lequel le tiroir à micro-ondes reposera. Le plancher de l'ouverture doit être construit en contreplaqué suffisamment solide pour soutenir le poids du four (environ 45 kg).
- Vérifiez que l'endroit où le micro-onde à tiroir sera installé est bien alimenté en électricité.
- Votre four peut être intégré dans une armoire ou un mur, seul ou sous un four encastré à gaz ou électrique.
- Assurez-vous que l'espacement du plancher entre le four encastré et le tiroir à micro-ondes est d'au moins 5 cm.
- L'intérieur du micro-onde peut facilement accueillir un plat oblong de 22 x 33 cm ou un sac de pop-corn pour micro-onde.

BLOC ANTI-RENVERSEMENT

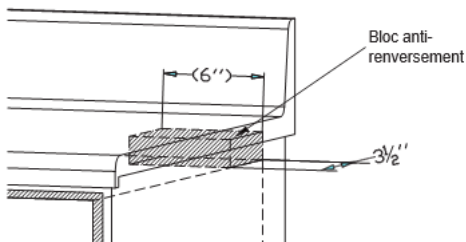


Figure 3

PROCÉDURE D'INSTALLATION NORMALE INSTRUCTIONS D'INSTALLATION DU BLOC ANTI-RENVERSEMENT

Pour réduire le risque de renversement du four à tiroir, installez correctement le bloc anti-renversement à environ 37,6 cm au-dessus du plancher sur lequel le micro-onde à tiroir reposera. L'installateur doit pouvoir le bloc anti-renversement de 15 cm.

Voir les figures 1 et 3. Le bloc anti-renversement empêche les blessures graves qui pourraient résulter de la projection de liquides chauds.

Si vous déplacez le micro-onde à tiroir à un autre endroit, vous devrez également déplacer et installer le bloc anti-renversement. Dans le cas d'une installation au mur, assurez-vous que les vis pénètrent complètement dans le mur sec et sont fixées solidement dans le matériau en bois ou en métal de la paroi afin que le bloc soit totalement stable. Au moment du serrage des vis, assurez-vous qu'elles n'entrent pas en contact avec un câble électrique ou un élément de tuyauterie.

PRISE ÉLECTRIQUE

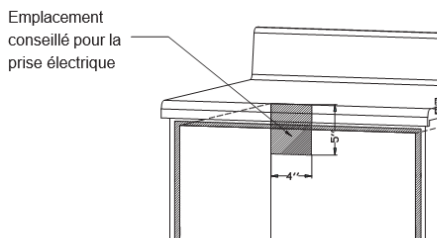


Figure 4

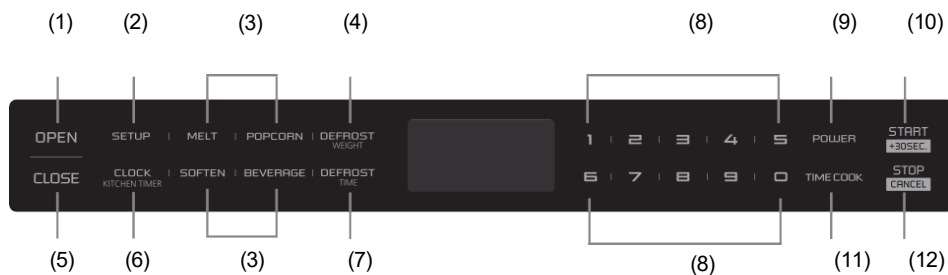
Les besoins en électricité sont de seulement 120 CA 60Hz 15A ou exigent une alimentation électrique plus protégée. Nous vous recommandons de brancher l'appareil sur un circuit séparé. Le four à tiroir est équipé d'une fiche à 3 broches dont une de mise à la terre. Elle doit être branchée à une prise murale correctement installée et reliée à la terre. Si vous ne disposez que d'une prise à 2 broches, demandez à un électricien qualifié d'installer une prise murale correcte.

Remarque : Si vous avez des questions concernant la mise à la terre ou les instructions électriques, consultez un électricien ou un technicien qualifié.

* Vous pouvez également l'installer en utilisant une prise électrique dans une armoire adjacente accessible à l'aide du cordon électrique fourni. Vérifiez toujours les codes électriques pour les dispositions.

FONCTIONNEMENT

Panneau de commande et caractéristiques



- | | |
|---------------------------------|----------------------------|
| (1) Ouvrir | (7) Durée de décongélation |
| (2) Installation | (8) Touches numériques |
| (3) Menu Auto | (9) Puissance |
| (4) Poids de décongélation | (10) Démarrer/+30 s |
| (5) Fermer | (11) Cuisson minutée |
| (6) Horloge/minuteur de cuisine | (12) Arrêter/annuler |

FONCTIONNEMENT

1. Mise sous tension

- (1) Dès que vous branchez le microonde à une prise électrique, l'avertisseur sonne une fois. L'écran affiche "WELCOME". Le four passera en mode veille. L'écran indique "00:00".
- (2) En mode veille, l'écran affiche l'heure actuelle si vous l'avez réglée. Sinon, il indique "00:00".
- (3) Appuyez sur la touche "OPEN" pour ouvrir le tiroir : l'écran affiche "OPEN". L'écran indiquera "PLEASE CLOSE" lorsque le tiroir est entièrement ouvert. Appuyez sur la touche "CLOSE" pour fermer le tiroir : l'écran affiche "CLOSE". L'écran affiche l'heure actuelle ou "00:00" quand le tiroir est entièrement fermé. Si vous ouvrez ou fermez mal le tiroir, l'avertisseur sonnera cinq fois et l'écran affichera "CLOSEOR OPEN".

2. Réglage de l'horloge

- (1) Appuyez brièvement sur la touche "CLOCK/KITCHEN TIMER". La première partie de l'heure se met à clignoter et l'autre partie indique "0".
- (2) Appuyez sur les touches numériques pour saisir l'heure correcte. L'heure saisie doit être comprise entre "01:00" et "12:59".
- (3) Appuyez sur "CLOCK/KITCHEN TIMER" pour terminer le réglage de l'heure. Le symbole " : " se met à clignoter.

Remarque : Au cours du réglage de l'horloge, si vous appuyez sur la touche "STOP/CANCEL" ou si vous n'effectuez aucune opération pendant 1 minute, le four revient automatiquement au réglage précédent.

3. Minuteur de cuisine

- (1) Appuyez deux fois sur la touche "CLOCK/KITCHEN TIMER" : l'écran affiche "00:00" et l'indicateur "FUNCTION" s'allume.
- (2) Appuyez sur les touches numériques pour saisir la durée de cuisson. La durée maximale de cuisson est de 99 minutes et 99 secondes.
- (3) Appuyez sur la touche "START/+30SEC" pour confirmer le réglage. Le compte à rebours de cuisson démarre.
- (4) Une fois le compte à rebours terminé, l'avertisseur sonnera 5 fois. Le four repassera en mode veille. L'écran affichera l'heure actuelle si vous l'avez réglée. Sinon, il indiquera "00:00".

Remarque :

- 1) Le minuteur de cuisine fonctionne différemment de l'horloge sur 12 heures. Le minuteur de cuisine est à tous les effets un minuteur.
- 2) Pendant le fonctionnement du minuteur de cuisine, aucun programme de cuisson ne peut être utilisé.
- 3) Appuyez sur la touche "STOP/CANCEL" pour désactiver le minuteur de cuisine.

4. Fonction de cuisson au microonde

11 niveaux de puissance sont à votre disposition.

Niveau	10	9	8	7	6	5	4	3	2	1	0
Puissance	100 %	90%	80%	70%	60%	50%	40%	30%	20%	10%	0 %
Affichage	PL100	PL90	PL80	PL70	PL60	PL50	PL40	PL30	PL20	PL10	PL00

- (1) Appuyez sur la touche "TIME COOK" : l'écran affiche "00:00" et l'indicateur "FUNCTION" s'allume. Appuyez sur les touches numériques pour saisir la durée de cuisson. La durée maximale de cuisson est de 99 minutes et 99 secondes.
- (2) Appuyez sur la touche "POWER" pour régler la puissance. Le niveau de puissance par défaut est "PL100". Appuyez sur les touches numériques pour sélectionner un niveau de puissance différent.
- (3) Appuyez sur la touche "START/+30SEC" pour démarrer la cuisson. L'avertisseur sonne une fois. Le compte à rebours de cuisson démarre. Une fois la cuisson terminée, l'avertisseur sonne cinq fois et l'indication "FINISH" s'affiche.

Remarque : Au cours du réglage, si vous appuyez sur la touche "STOP/CANCEL" ou si vous n'effectuez aucune opération pendant 1 minute, le four revient automatiquement au réglage précédent.

5. Cuisson rapide

- (1) En mode veille, vous pouvez lancer la cuisson immédiate à 100 % de la puissance pendant une durée de cuisson de 30 secondes en appuyant sur la touche "START/+30SEC". Chaque fois que vous appuyez sur cette touche, vous augmentez la durée de cuisson de 30 secondes.
- (2) Pendant la cuisson au microonde ou une décongélation minutée, appuyez sur la touche "START/+30SEC" pour augmenter la durée de cuisson ou de décongélation. Chaque appui augmente la durée de 30 secondes.

Remarque : cette opération n'est pas disponible si vous appuyez sur la touche "START/+30SEC" pour augmenter la durée de décongélation par poids ou la durée de la cuisson démarrée à partir du menu "Auto".

6. Fonction de décongélation par poids

- (1) Appuyez sur la touche "DEFROST WEIGHT". L'écran affiche l'indication "WEIGHT DEFROST". L'indicateur "FUNCTION" s'allume également.
- (2) Appuyez sur les touches numériques pour saisir le poids de l'aliment à décongeler. Le poids doit être compris entre 0,1 et 6 livres (soit entre 45 g et 2,7 kg).
- (3) Appuyez sur la touche "START/+30SEC" pour démarrer la décongélation. L'avertisseur sonne une fois. Le compte à rebours de décongélation démarre. Une fois la cuisson terminée, l'avertisseur sonne cinq fois et l'indication "FINISH" s'affiche.


7. Fonction de décongélation minutée

- (1) Appuyez sur la touche "DEFROST TIME". L'écran affiche l'indication "TIME DEFROST". L'indicateur "FUNCTION" s'allume également.

- (2) Appuyez sur les touches numériques pour saisir la durée de décongélation entre "00:01" et "99:99".
- (3) Appuyez sur la touche "START/+30SEC" pour démarrer la décongélation. L'avertisseur sonne une fois. Le compte à rebours de décongélation démarre. Une fois la cuisson terminée, l'avertisseur sonne cinq fois et l'indication "FINISH" s'affiche.

Remarque : Le niveau de puissance pour la décongélation est "PL30".

8. Menu Auto — Boisson

- (1) Appuyer sur la touche "BEVERAGE". L'écran affiche "1". Les indicateurs "AUTO MENU" et "" s'allument.
- (2) Appuyez de nouveau sur la touche "BEVERAGE", l'écran affiche ""1" ou "2" dans l'ordre.
- (3) Appuyez sur la touche "START/+30SEC" pour démarrer la cuisson. L'avertisseur sonne une fois. Le compte à rebours de cuisson démarre. Une fois la cuisson terminée, l'avertisseur sonne cinq fois et l'indication "FINISH" s'affiche.

9. Menu Auto — Pop-corn

- (1) Appuyer sur la touche "POPCORN". L'écran affiche "1.75". Les indicateurs "AUTO MENU" et "OZ" s'allument.
- (2) Appuyez de nouveau sur la touche "POPCORN", l'écran affiche "1.75", "3" ou "3.5" dans l'ordre.
- (3) Appuyez sur la touche "START/+30SEC" pour démarrer la cuisson. L'avertisseur sonne une fois. L'indicateur "OZ" s'éteint. Le compte à rebours de cuisson démarre. Une fois la cuisson terminée, l'avertisseur sonne cinq fois et l'indication "FINISH" s'affiche.

10. Menu Auto — Fondu

- (1) Appuyer sur la touche "MELT". L'écran affiche "BUTTER". L'indicateur "AUTO MENU" s'allume.
- (2) Appuyez de nouveau sur la touche "MELT", l'écran affiche "CHOCOLA", "CHEESE" ou "MARSHMA" dans l'ordre.
- (3) Appuyez sur la touche "START/+30SEC" pour confirmer la sélection.
- (4) Appuyez sur la touche "MELT" pour sélectionner le poids. L'indicateur "OZ" s'allumera sauf pour l'option de menu "BUTTER".
- (5) Appuyez sur la touche "START/+30SEC" pour démarrer la cuisson. L'avertisseur sonne une fois. L'indicateur "OZ" s'éteint. Le compte à rebours de cuisson démarre. Une fois la cuisson terminée, l'avertisseur sonne cinq fois et l'indication "FINISH" s'affiche.

Menu	Affichage	Poids
Beurre/margarine	BUTTER	1 (STICH)
		2 (STICHS)
		3 (STICHS)
Chocolat	CHOCOLA	4
		8
Fromage	CHEESE	8
		16
Guimauves	MARSHMA	5
		10

11. Menu Auto — Ramollir

- (1) Appuyer sur la touche "SOFTEN". L'écran affiche "BUTTER". L'indicateur "AUTO MENU" s'allume.
- (2) Appuyez de nouveau sur la touche "SOFTEN", l'écran affiche "ICE-CRE" ou "CHEESE" dans l'ordre.
- (3) Appuyez sur la touche "START/+30SEC" pour confirmer la sélection.
- (4) Appuyez sur la touche "SOFTEN" pour sélectionner le poids. L'indicateur "OZ" s'allumera sauf pour l'option de menu "BUTTER".
- (5) Appuyez sur la touche "START/+30SEC" pour démarrer la cuisson. L'avertisseur sonne une fois. L'indicateur "OZ" s'éteint. Le compte à rebours de cuisson démarre. Une fois la cuisson terminée, l'avertisseur sonne cinq fois et l'indication "FINISH" s'affiche.

Menu	Affichage	Poids
Beurre/margarine	BUTTER	1 (STICH)
		2 (STICHS)
		3 (STICHS)
Glace/Jus surgele	ICE-CRE	8
		16
		32
Fromage Frais	CHEESE	3
		8

12. Activation/désactivation de l'avertisseur

- (1) Appuyer sur la touche "SETUP". L'écran affiche "BUZ OFF".
- (2) Appuyez sur la touche "START/+30SEC". Le four repassera en mode veille. L'avertisseur est désactivé. Aucune sonnerie ne retentira.
- (3) Appuyer sur la touche "SETUP". L'écran affiche "BUZ ON".
- (4) Appuyez sur la touche "START/+30SEC". Le four repassera en mode veille. L'avertisseur est activé. L'avertisseur sonne normalement.

13. FONCTION DE VERROUILLAGE POUR ENFANTS

Verrouillage : en mode veille, appuyez sur la touche "STOP/CANCEL" pendant 3 secondes. Le four sera verrouillé pour éviter toute manipulation par des enfants. L'écran affichera l'heure actuelle si vous l'avez réglée. Sinon, il indique "00:00".

Déverrouillage : en mode verrouillé, appuyez sur la touche "STOP/CANCEL" pendant 3 secondes pour déverrouiller le four.

14. FONCTION D'INFORMATIONS

- (1) En mode cuisson, appuyez sur la touche "CLOCK/KITCHEN TIMER" pour vérifier l'horloge. L'heure actuelle s'affiche pendant 3 secondes.
- (2) En mode cuisson au micro-onde, appuyez sur la touche "POWER" pour vérifier la puissance micro-onde. La puissance micro-onde actuelle s'affiche pendant 3 secondes.

15. AUTRES SPÉCIFICATIONS

- (1) Si vous appuyez bien sur les commandes, l'avertisseur sonne une fois, sinon l'avertisseur ne sonnera pas.
- (2) En mode cuisson, vous ne pouvez pas appuyer sur la touche "OPEN" pour ouvrir le tiroir à moins que vous ayez appuyé sur la touche "STOP/CANCEL" pour interrompre la cuisson. Appuyez sur la touche "CLOSE" pour fermer le tiroir. Appuyez ensuite sur la touche "START/+30SEC" pour reprendre la cuisson.
- (3) Une fois le programme de cuisson réglé, n'appuyez pas sur la touche "START/+30SEC" pendant 1 minute. L'heure actuelle s'affichera sur l'écran. Le programme est annulé.
- (4) Si vous ouvrez la porte du four, la lampe reste allumée tant que vous n'éteignez pas le four

MAINTENANCE

Dépannage

Recherchez votre problème dans le tableau ci-dessous et essayez les solutions proposées pour le résoudre. Si le four à microondes ne fonctionne toujours pas correctement, contactez le centre de service agréé le plus proche.

PROBLÈME	CAUSES POSSIBLES	SOLUTIONS POSSIBLES
Le four ne démarre pas	<ul style="list-style-type: none">a. Le cordon électrique dub. four n'est pas branché.c. La porte est ouverte.d. Mauvaise opération choisie.	<ul style="list-style-type: none">a. Branchez l'appareil à une prise électrique.b. Fermez la porte et réessayez.c. Consultez le guide d'utilisation.
Arc ou étincelle	<ul style="list-style-type: none">a. Vous avez introduit des matériaux qu'il faut éviter d'utiliser dans un four à microondes.b. Le four est utilisé à vide.c. La cavité contient de la nourriture renversée.	<ul style="list-style-type: none">a. Utilisez uniquement des plats allant au four à microondes.b. N'utilisez pas le four à vide.c. Nettoyez la cavité avec une serviette humide.
Aliments mal cuits	<ul style="list-style-type: none">a. Vous avez introduit des matériaux qu'il faut éviter d'utiliser dans un four à microondes.b. Les aliments ne sont pas entièrement décongelés.c. Temps de cuisson ou niveau de puissance inapproprié.d. Les aliments ne sont ni retournés ni remués.	<ul style="list-style-type: none">a. Utilisez uniquement des plats allant au four à microondes.b. Décongelez entièrement les aliments.c. Utilisez un temps de cuisson ou un niveau de puissance approprié.d. Retournez ou remuez les aliments.
Aliments trop cuits	Temps de cuisson ou niveau de puissance inapproprié.	Utilisez un temps de cuisson ou un niveau de puissance approprié.
Aliments insuffisamment cuits	<ul style="list-style-type: none">a. Vous avez introduit des matériaux qu'il faut éviter d'utiliser dans un four à microondes.b. Les aliments ne sont pas entièrement décongelés.c. Les orifices de ventilation du four sont obstrués.d. Temps de cuisson ou niveau de puissance inapproprié.	<ul style="list-style-type: none">a. Utilisez uniquement des plats allant au four à microondes.b. Décongelez entièrement les aliments.c. Vérifiez que les orifices de ventilation du four ne sont pas obstrués.d. Utilisez un temps de cuisson ou un niveau de puissance approprié.
Décongélation incorrecte	<ul style="list-style-type: none">a. Vous avez introduit des matériaux qu'il faut éviter d'utiliser dans un four à microondes.b. Temps de cuisson ou niveau de puissance inapproprié.c. Les aliments ne sont ni retournés ni remués.	<ul style="list-style-type: none">a. Utilisez uniquement des plats allant au four à microondes.b. Utilisez un temps de cuisson ou un niveau de puissance approprié.c. Retournez ou remuez les aliments.

GARANTIE LIMITÉE

GARANTIE LIMITÉE DE UNE ANS


Dans les 48 États américains contigus, pendant une ans à compter de la date d'achat, lorsque cet appareil est utilisé et entretenu conformément aux instructions jointes au produit ou fournies avec celui-ci, le garant paiera pour l'usine. . .pièces spécifiées et main-d'œuvre de réparation pour corriger les défauts dans les matériaux ou la fabrication. Le service doit être fourni par une entreprise de service désignée. En dehors des 48 états, toutes les pièces sont garanties pendant une ans à partir des défauts de fabrication. Il est garanti que les pièces, les étagères et les armoires en plastique sont fabriquées conformément aux normes commerciales acceptables et ne sont pas couvertes contre les dommages pendant la manutention ou la rupture.

LA GARANTIE DES ARTICLES NE PAIERA PAS :

1. Appels de service pour corriger l'installation de votre appareil, pour vous indiquer comment utiliser votre appareil, pour remplacer ou réparer les fusibles ou pour corriger le câblage ou la plomberie.
2. Appels de service pour réparer ou remplacer des ampoules ou des étagères brisées. Les pièces consommables (comme les filtres) ne sont pas couvertes par la garantie.
3. Dommages résultant d'un accident, d'une altération, d'un mauvais usage, d'un abus, d'un incendie, d'une inondation, d'une mauvaise installation, d'une installation non conforme aux codes d'électricité ou de plomberie, ou de l'utilisation de produits non approuvés par le garant.
4. Pièces de rechange ou coûts de main-d'œuvre de réparation pour les unités exploitées à l'extérieur des États-Unis.
5. Réparations de pièces ou de systèmes résultant de modifications non autorisées apportées à l'appareil.
6. Le retrait et la réinstallation de votre appareil s'il est installé dans un endroit inaccessible ou n'est pas installé conformément aux instructions d'installation publiées.

EXCLUSION DE GARANTIE IMPLICITE ; LIMITATION DES RECOURS

LE SEUL ET EXCLUSIF RECOURS DU CLIENT EN VERTU DE CETTE GARANTIE LIMITÉE SERA LA RÉPARATION DU PRODUIT CONFORMÉMENT AUX PRÉSENTES. LES GARANTIES IMPLICITES, Y COMPRIS LES GARANTIES DE QUALITÉ MARCHANDE OU D'ADÉQUATION À UN USAGE PARTICULIER, SONT LIMITÉES À UNE ANS. LE GARANT NE SERA PAS RESPONSABLE DES DOMMAGES ACCESSOIRES OU CONSÉCUTIFS. CERTAINS ÉTATS N'AUTORISENT PAS L'EXCLUSION OU LA LIMITATION DE DOMMAGES ACCESSOIRES OU CONSÉCUTIFS, OU LES LIMITES DE LA DURÉE DES GARANTIES IMPLICITES DE QUALITÉ MARCHANDE OU D'ADAPTATION, DE SORTE QUE CES EXCLUSIONS OU LIMITATIONS PEUVENT NE PAS S'APPLIQUER À VOUS. CETTE GARANTIE VOUS CONFÈRE DES DROITS JURIDIQUES SPÉCIFIQUES ET VOUS POUVEZ AVOIR D'AUTRES DROITS QUI VARIENT D'UN ÉTAT À L'AUTRE.

 **AVERTISSEMENT : ce produit peut vous exposer à des produits chimiques, y compris le nickel (métallique) qui est connu dans l'État de Californie pour provoquer le cancer.**

Pour plus d'informations, rendez-vous sur www.65Warnings.ca.gov

Remarque : le nickel est un composant de tout l'acier inoxydable et de certaines autres compositions métalliques

Summit Appliance
Division of Felix Storch, Inc.
An ISO 9001:2015 registered company
770 Garrison Avenue
Bronx, NY 10474
www.summitappliance.com

SUMMIT
APPLIANCE

For parts and accessory ordering, troubleshooting, and helpful hints, visit:
www.summitappliance.com/support