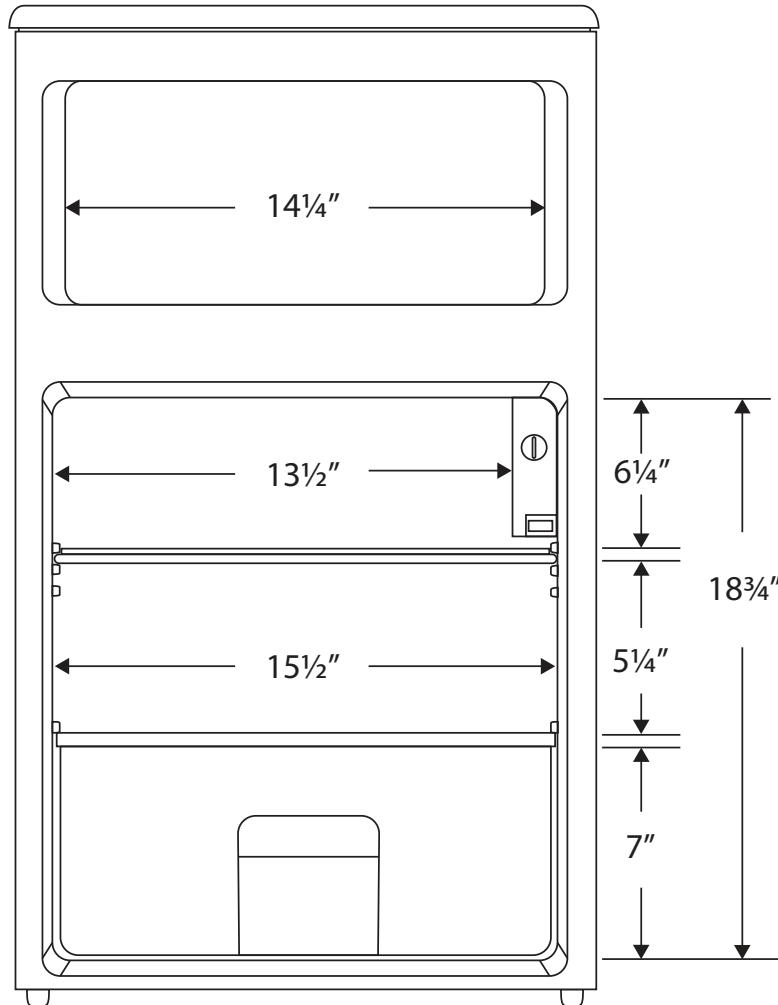
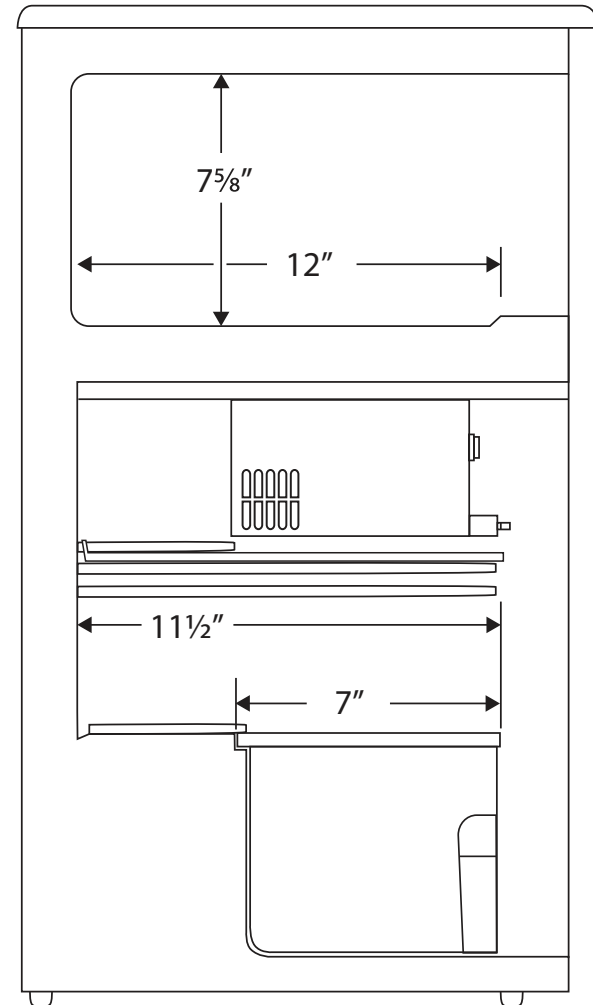


CUTSHEET

Front View



Side View



115VAC/60Hz/1PH
NEMA-5-15P

Compartment	Cu. Ft	Defrost	Door	Int Door	Shelves	Interior Dim.			Refrigerant	H.P.	Amps	Weight
						W"	D"	H"				
Freezer	1	Manual	1 Solid	0	1 Adj.	$14\frac{1}{4}"$	12	$7\frac{5}{8}"$	R600a	$\frac{1}{6}$	1.3	47 lbs.
Refrigerator	2	Cycle	1 Solid	0	1 Fixed	$15\frac{1}{2}"$	$11\frac{1}{2}"$	$18\frac{3}{4}"$				

Note: Interior dimensions are estimates and subject to change without notice