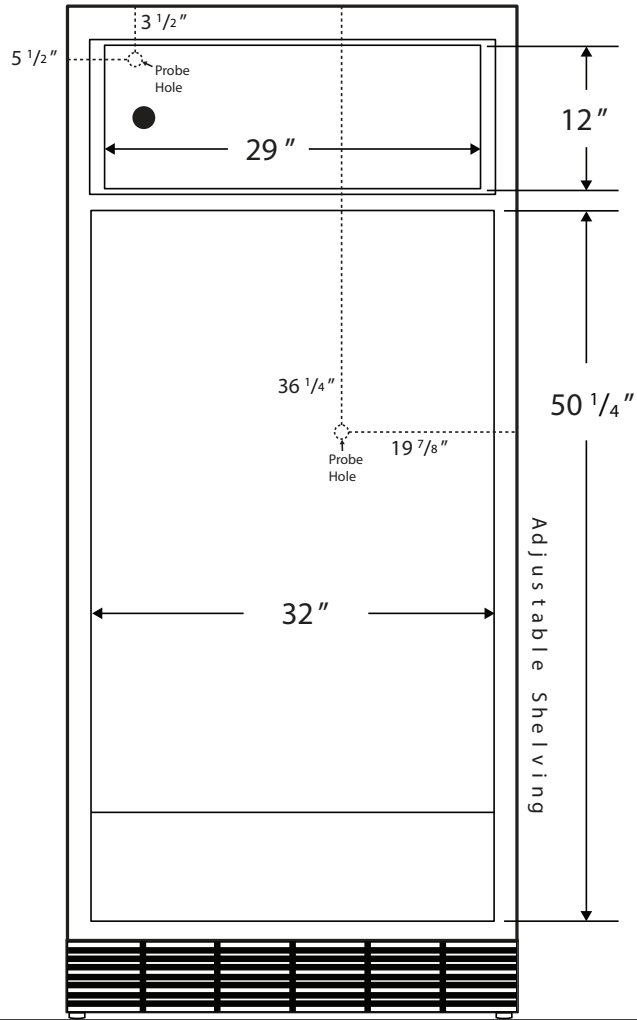
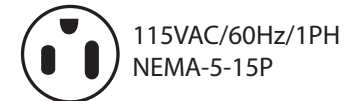
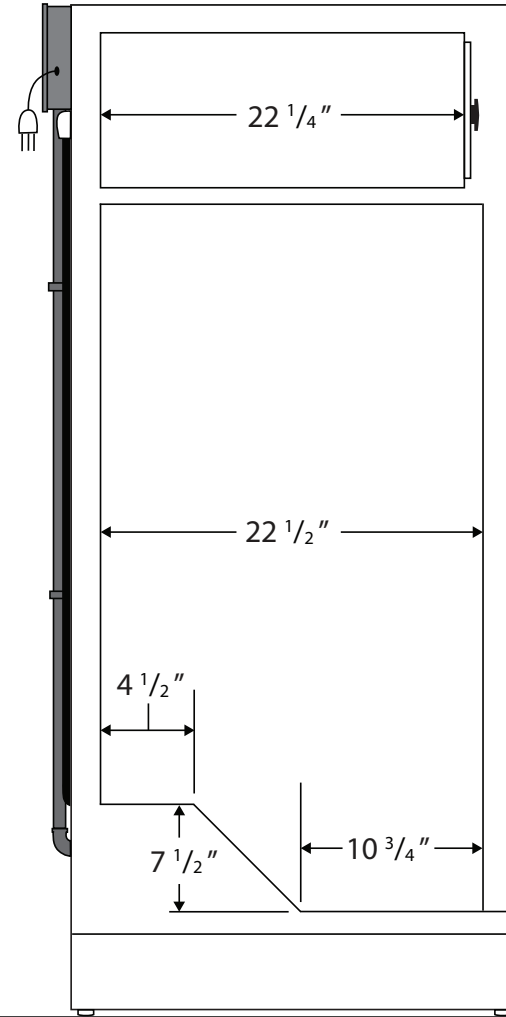


CUTSHEET

Front View



Side View



Compartment	Cu. Ft	Defrost	Door	Int Door	Shelves	Interior Dim.			Refrigerant	H.P.	Amps	Weight
						W"	D"	H"				
Freezer	5	Auto	1 Solid	1	0	29	22 1/4	12	R404a	1/4	6	323 lbs.
Refrigerator	25			0	3 Adj.	32	22 1/2	20 1/4				

Note: Interior dimensions are estimates and subject to change without notice