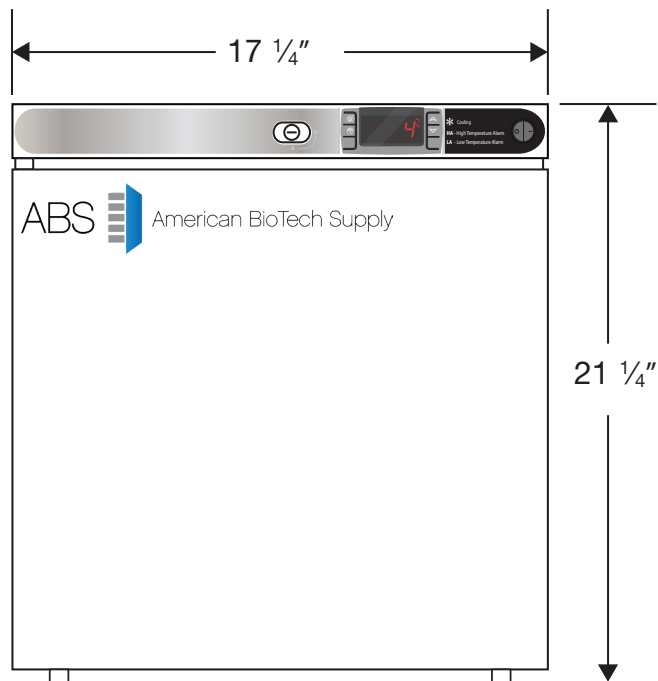
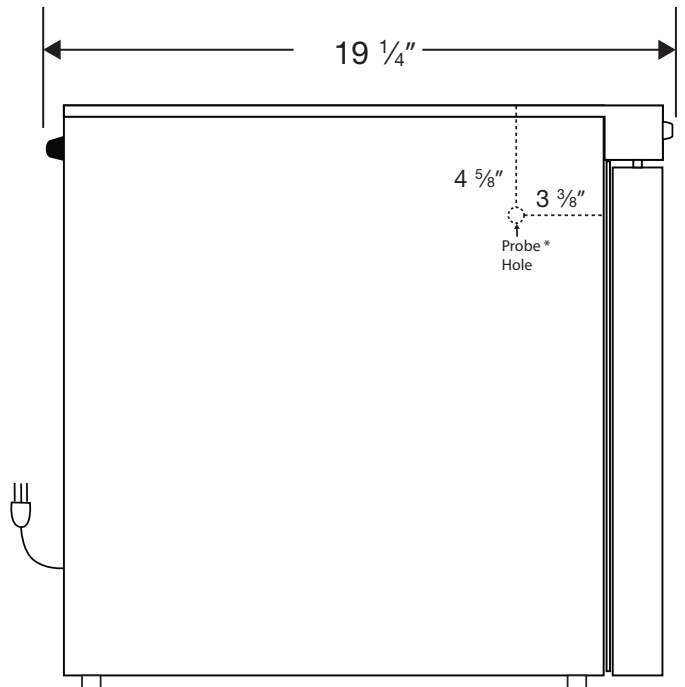


CUTSHEET

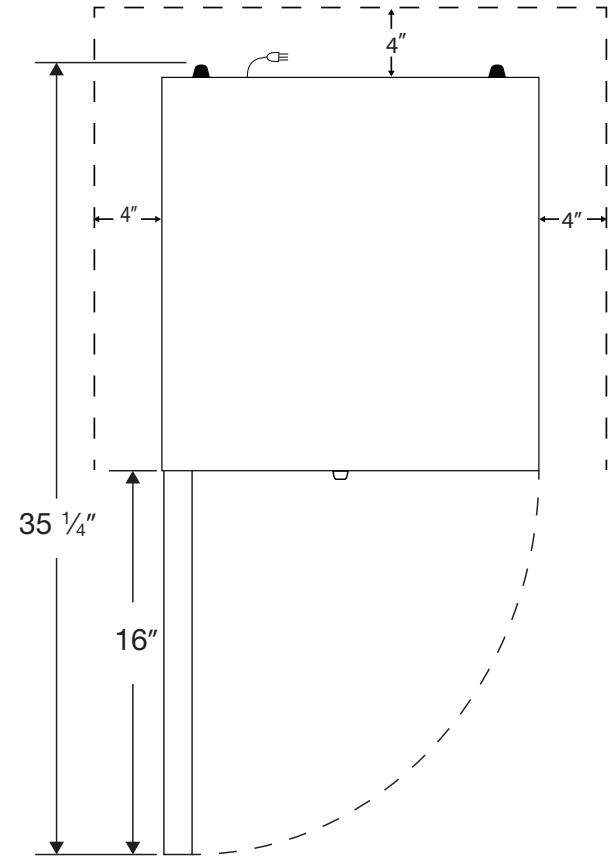
Front View



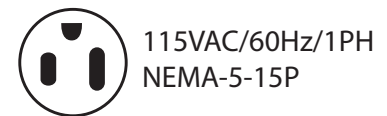
Side View



Top View



**NOTE: Ventilation Requirements – Minimum 4" clearance on sides and back**



Cu. Ft	Defrost	Door	Int Door	Shelves	W"	D"	H"	Refrigerant	H.P.	Amps	Weight
1	Cycle	1 Solid LH	0	2 Adj	17 1/4	19 1/4	21 1/4	R600a	1/8	.90	63 lbs.