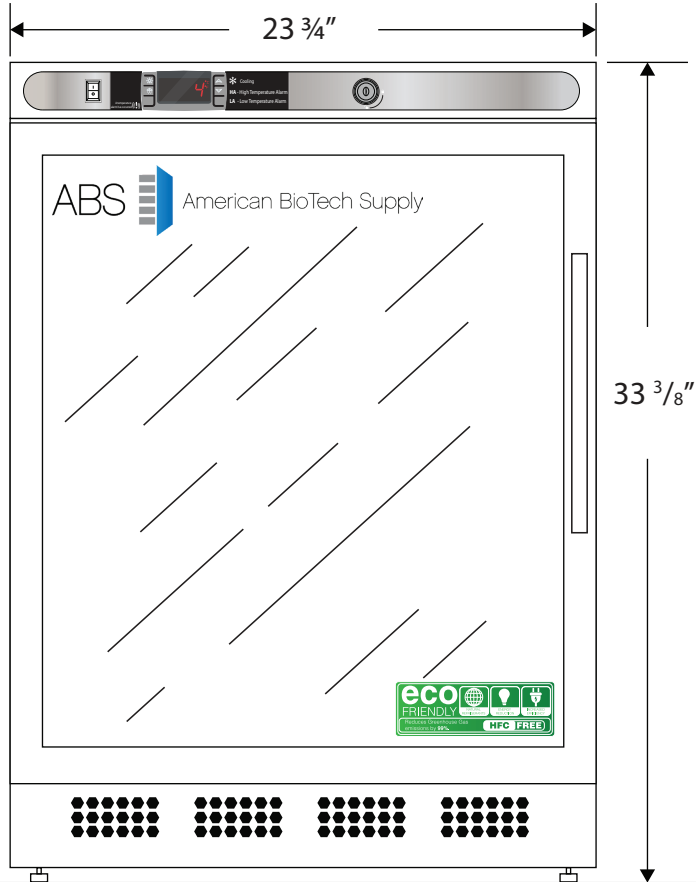
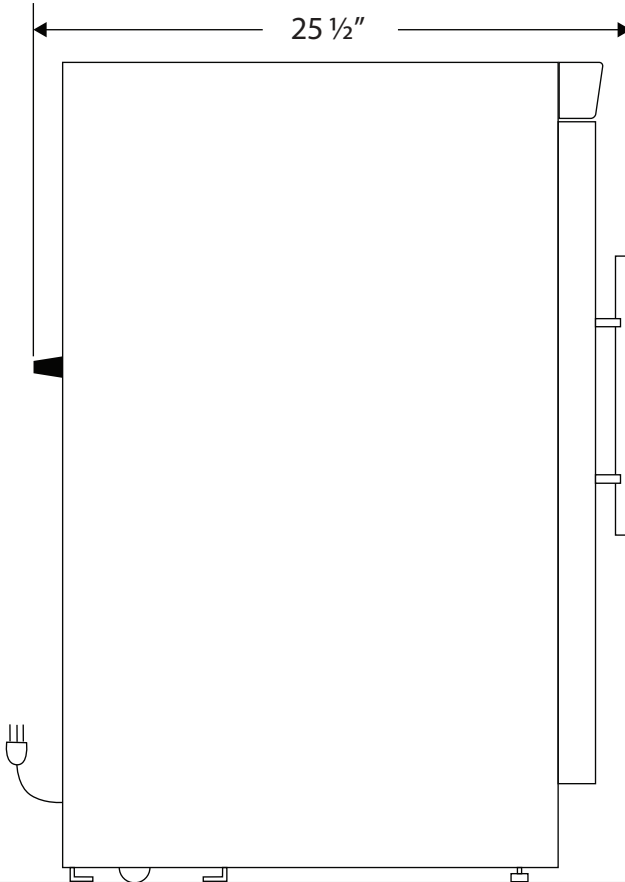


CUTSHEET

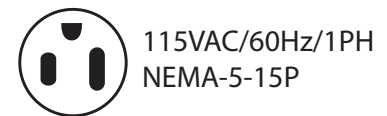
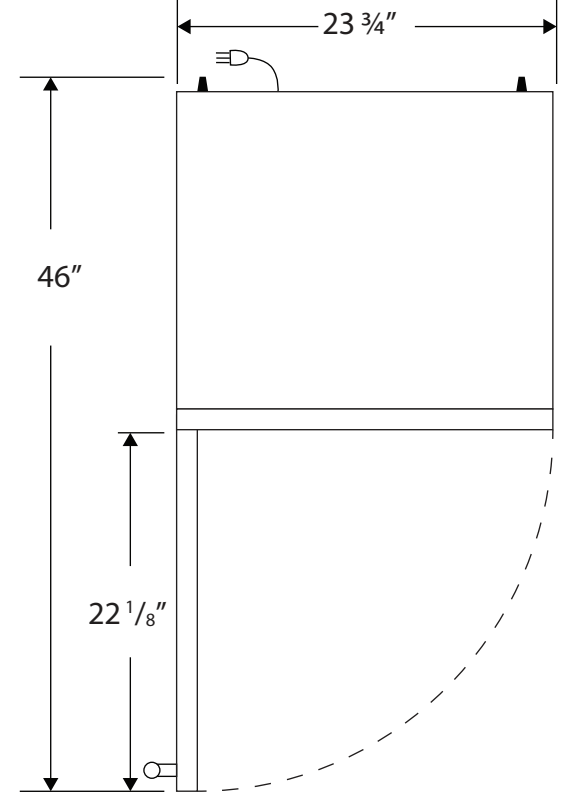
Front View



Side View



Top View



Cu. Ft	Defrost	Door	Int Door	Shelves	W"	D"	H"	Refrigerant	H.P.	Amps	Weight
4.6	Cycle	1 Glass LH	0	2Adj/1 Fixed	23 3/4	25 1/2	33 3/8	R600a	1/8	1.74	97 lbs.