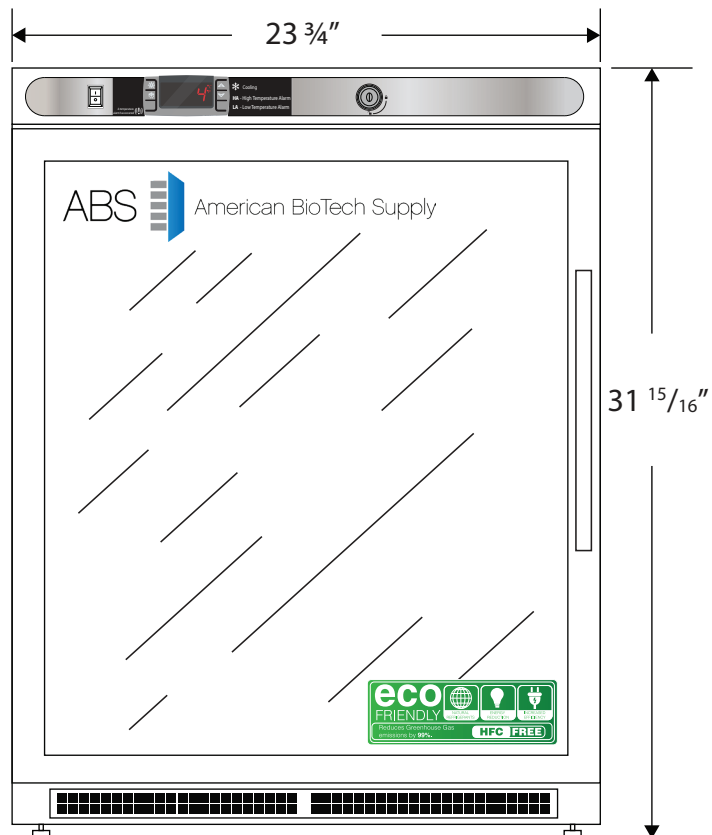
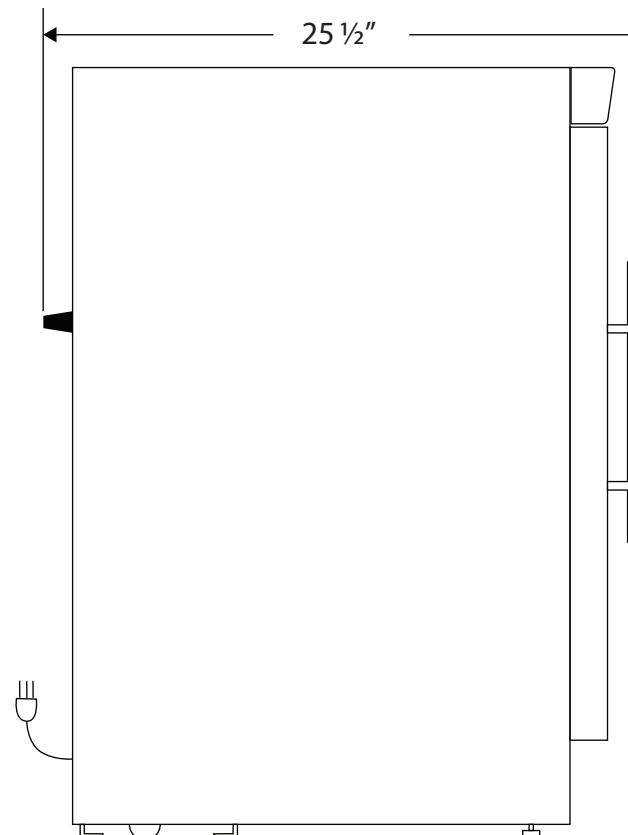


## CUTSHEET

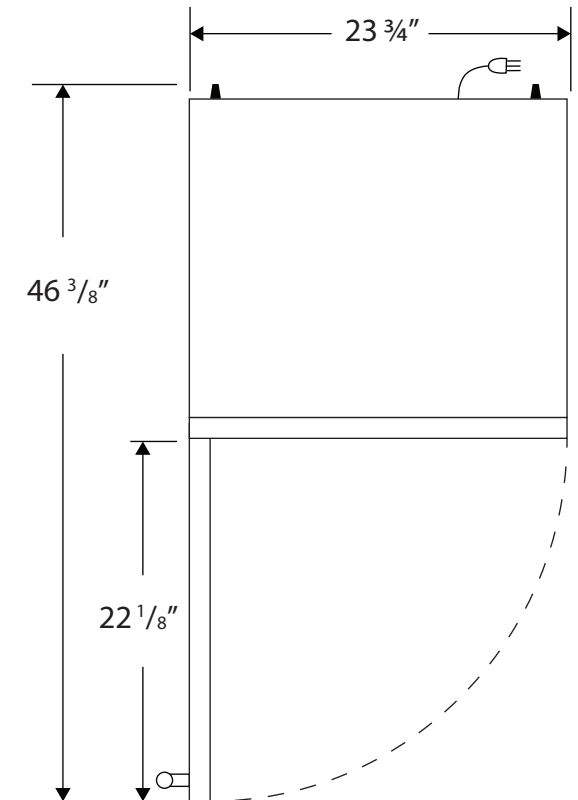
Front View



Side View



Top View



**32" HEIGHT MEETS ADA GUIDELINES**



115VAC/60Hz/1PH  
NEMA-5-15P

| Cu. Ft | Defrost | Door       | Int Door | Shelves      | W"     | D"     | H"       | Refrigerant | H.P. | Amps | Weight  |
|--------|---------|------------|----------|--------------|--------|--------|----------|-------------|------|------|---------|
| 4.6    | Cycle   | 1 Glass LH | 0        | 2Adj/1 Fixed | 23 3/4 | 25 1/2 | 31 15/16 | R600a       | 1/8  | 1.74 | 97 lbs. |