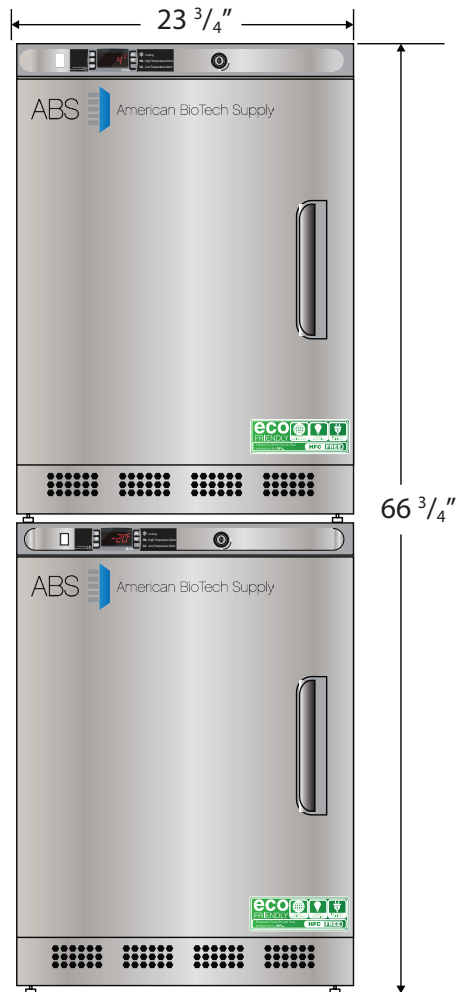


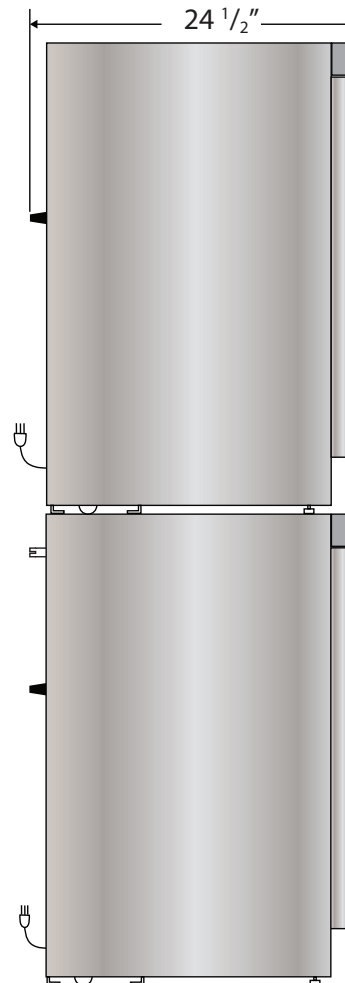
Exterior ABT-HC-RFC9SS-LH

CUTSHEET

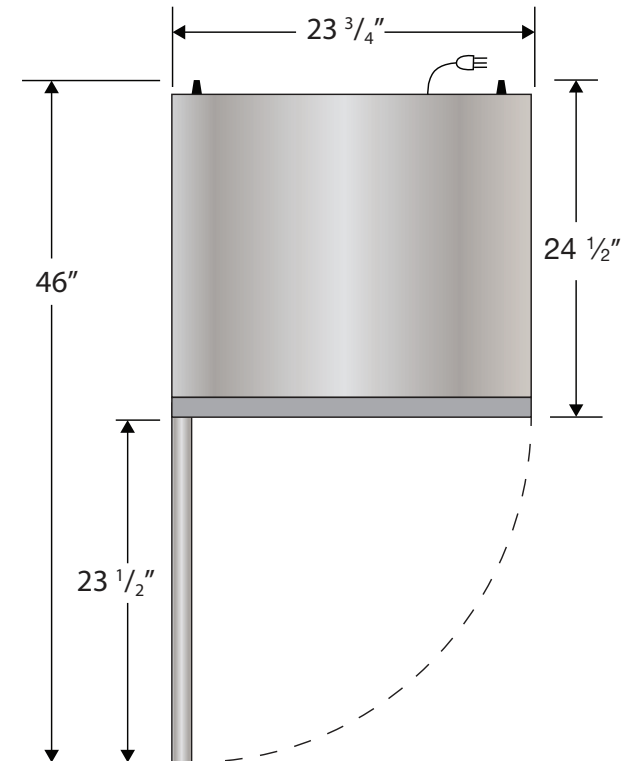
Front View




Side View



Top View



 115VAC/60Hz/1PH
NEMA-5-15P

Compartment	Cu. Ft	Defrost	Door	Int Door	Shelves	W"	D"	H"	Refrigerant	H.P.	Amps	Weight
Refrigerator	4.5	Cycle	1 Solid LH	0	2 Adj./1 Fixed	$23 \frac{3}{4}$	$24 \frac{1}{2}$	$66 \frac{3}{4}$	R600a	$\frac{1}{8}$	1.74	200 lbs.
Freezer	4.2	Manual	1 Solid LH	0	2 Fixed	$23 \frac{3}{4}$	$24 \frac{1}{2}$	$66 \frac{3}{4}$	R600a	$\frac{1}{8}$	1.5	