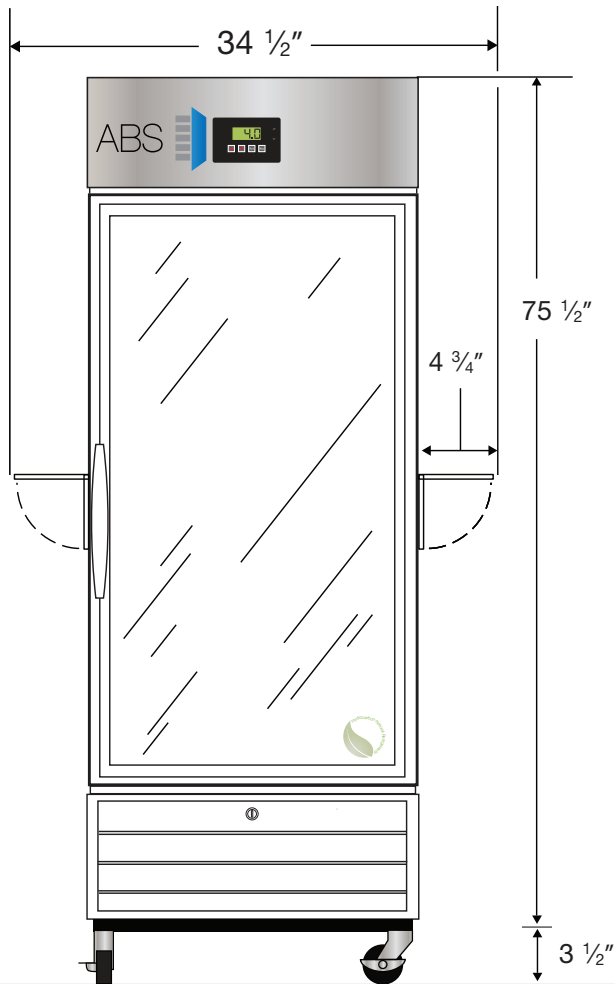
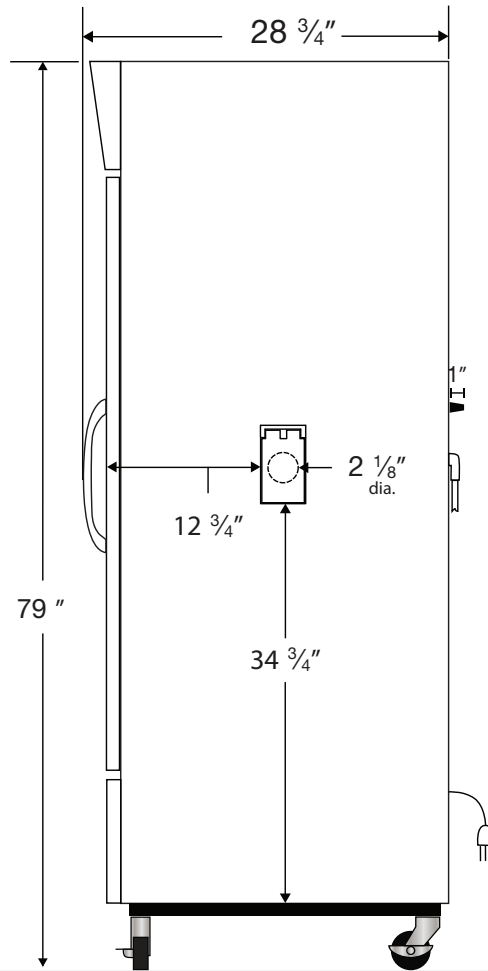


CUTSHEET

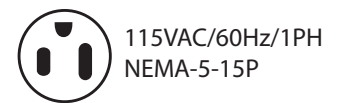
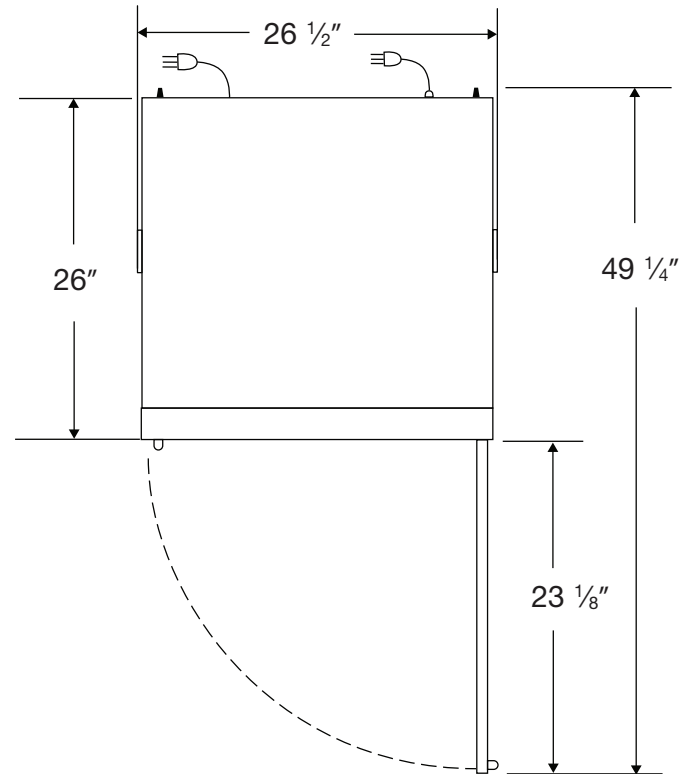
Front View



Side View



Top View



| Cu. Ft | Defrost | Door | Int Door | Shelves | W" | D" | H" | Refrigerant | H.P. | Amps | Weight |
|--------|---------|---------|----------|---------|--------|--------|----|-------------|------|------|----------|
| 16 | Cycle | 1 Glass | 0 | 3 Adj | 26 1/2 | 29 3/4 | 79 | R290 | 1/5 | 3 | 243 lbs. |