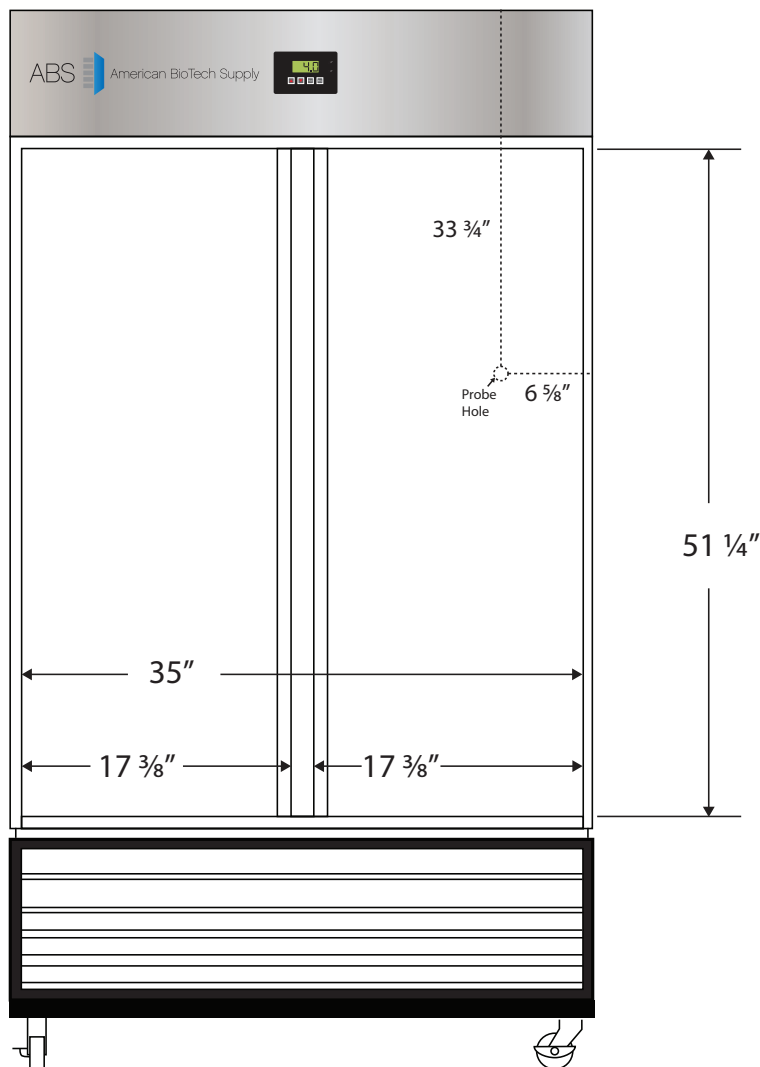
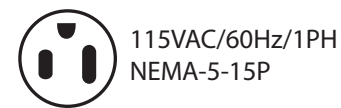
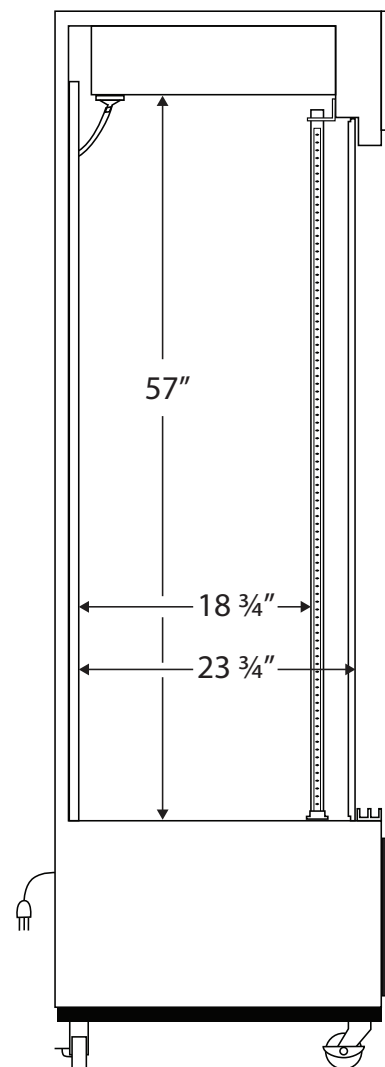


**CUTSHEET**

**Front View**



**Side View**



Cu. Ft	Defrost	Door	Int Door	Shelves	Interior Dim.			Refrigerant	H.P.	Amps	Weight
					W"	D"	H"				
33	Cycle	2 Slide	0	8 Adj	35	23 3/4	57	R290	1/2	6.3	361 lbs.

Note: Interior dimensions are estimates and subject to change without notice