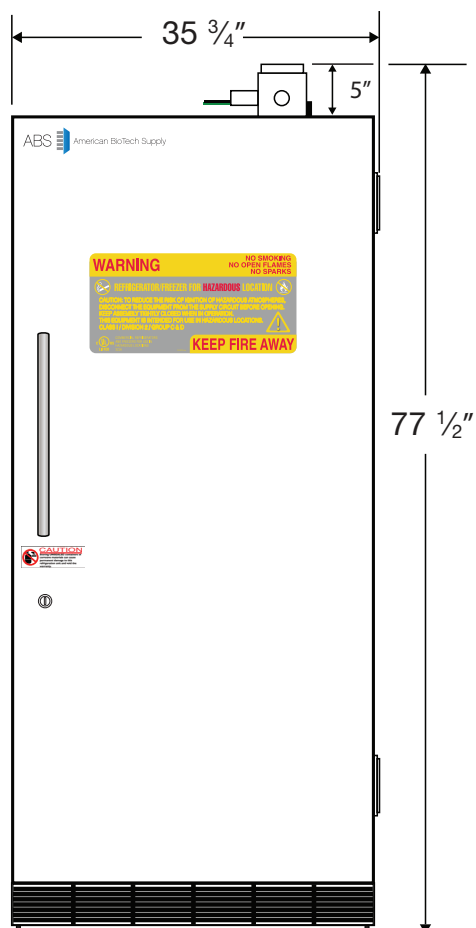
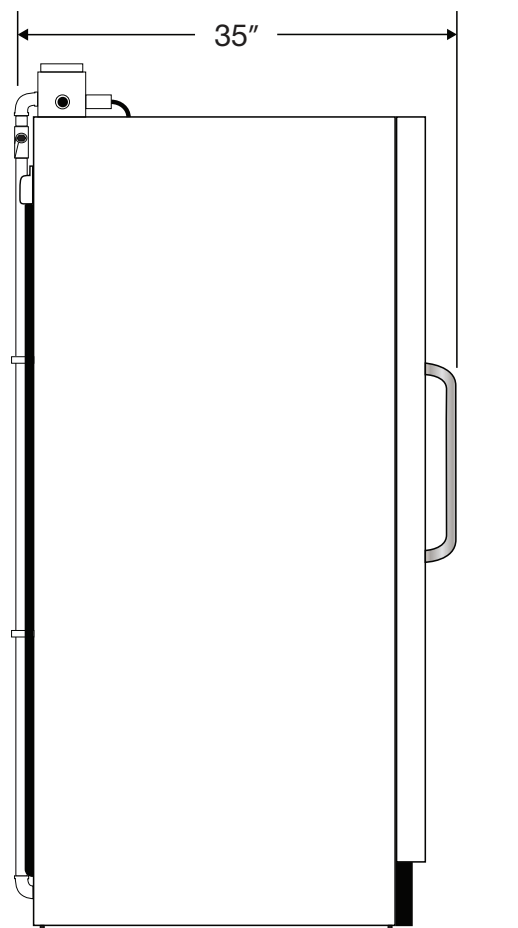


## CUTSHEET

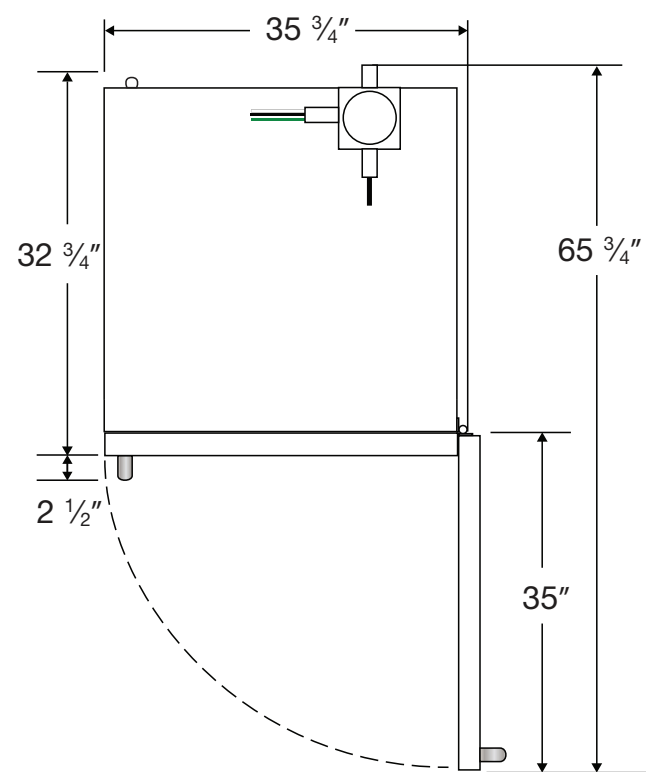
### Front View



### Side View



### Top View



Factory Sealed Wires Only

Compartment	Cu. Ft	Defrost	Door	Int Door	Shelves	W"	D"	H"	Refrigerant	H.P.	Amps	Weight
Freezer Refrigerator	30	Manual	1 Solid	1 0	0 3 Adj.	35 <sup>3</sup> / <sub>4</sub>	35	77 <sup>1</sup> / <sub>2</sub>	R404a	<sup>1</sup> / <sub>3</sub>	6	348 lbs.